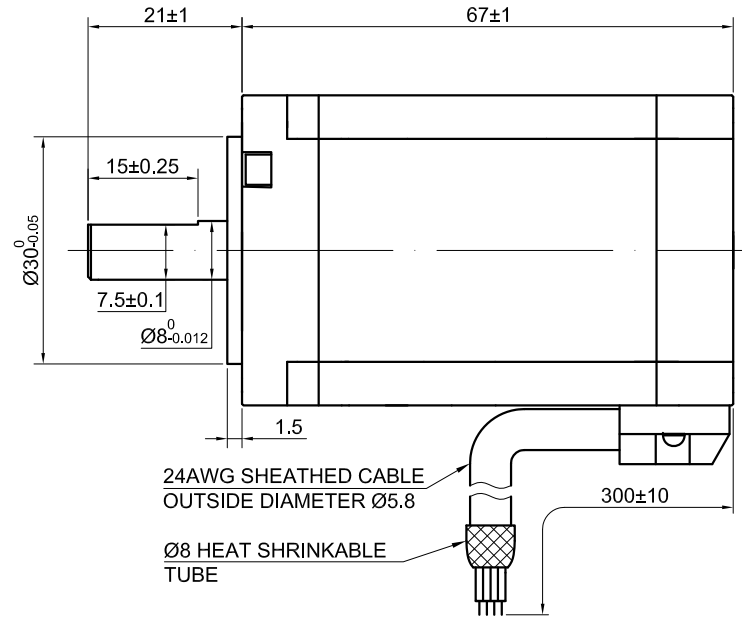
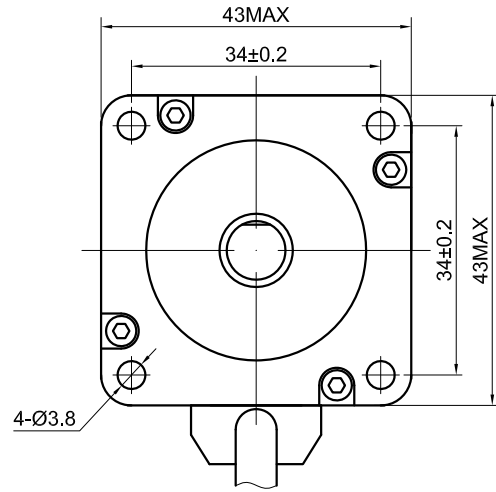


END COVER COLOR: BLACK

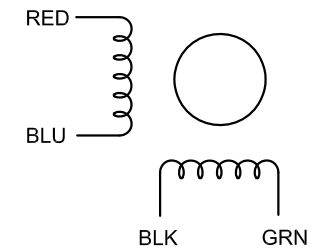


SPECIFICATION	CONNECTION	BIPOLAR
AMPS/PHASE		2.30
RESISTANCE/PHASE(Ohms)@25°C		1.45±10%
INDUCTANCE/PHASE(mH)@1KHz		2.80±20%
HOLDING TORQUE(Nm)[lb-in]		0.79[6.99]
STEP ANGLE(°)		1.80±5.00%
DYNAMIC AXIAL LOAD(N)		15
DYNAMIC RADIAL LOAD(N)@SHAFT LENGTH 20 mm		75
ROTOR INERTIA(g-cm ²)		—
WEIGHT(Kg)[lb]		0.55[1.21]
RELIABILITY:MTBF 6000 HOURS OR MORE @24/300RPM		
TEMPERATURE RISE:MAX.80°C (MOTOR STANDSTILL;FOR 2PHASE ENERGIZED)		
AMBIENT TEMPERATURE -20°C~+50°C[-4°F~+122°F]		
INSULATION CLASS B 130°C[266°F]		
DIELECTRIC STRENGTH 500VAC FOR 1MIN.(BETWEEN THE MOTOR COILS AND THE MOTOR CASE)		

TYPE OF CONNECTION (EXTERN)		MOTOR	
PIN NO	BIPOLAR	LEADS	WINDING
1	A+ —	RED	A+
2	A- —	BLU	A-
3	B+ —	BLK	B+
4	B- —	GRN	B-

FULL STEP 2 PHASE-Ex. ,
WHEN FACING MOUNTING END (X)

STEP	A+	B+	A-	B-		CCW
1	+	+	-	-	↓	↑
2	-	+	+	-		
3	-	-	+	+	↑	↓
4	+	-	-	+		



STEPPERONLINE®

	APVD		5.9.2022
	CHKD		
1:1	DRN		
SCALE	SIGNATURE		DATE

STEPPER MOTOR

17HS26-2304S