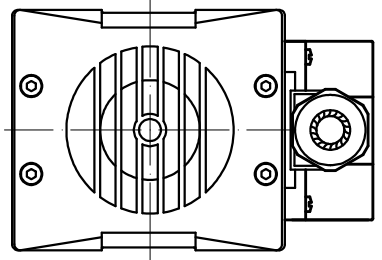
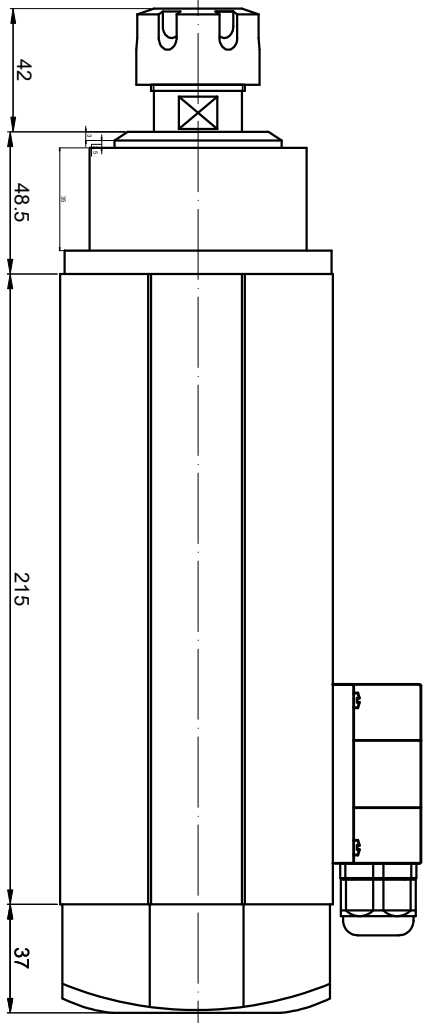
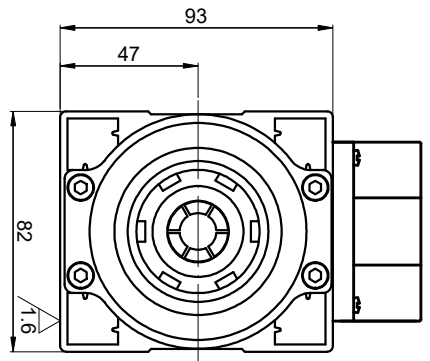
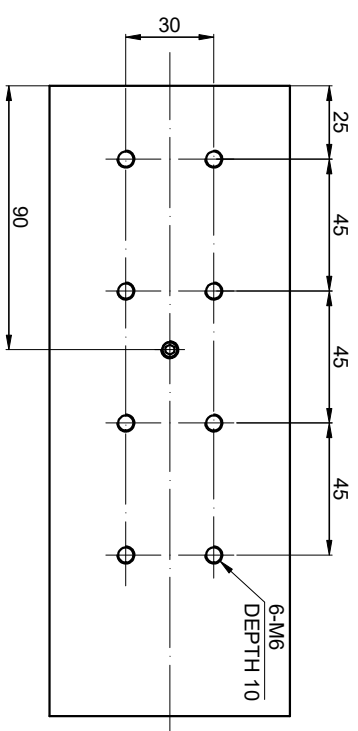


9481 V	ON GMD	TEPOM-TOTOM	ON TEPOM
--------	--------	-------------	----------

REV.	REVISION RECORD	BY	DATE
0	ORIGIN	YSX	10.19.2023



SPECIFICATION	CONNECTION	VALUE
POWER (kw)		3.5
VOLTAGE (VAC)		380
RATED CURRENT (A)		8.8
MAXIMUM SPEED (RPM)		18000
FREQUENCY		300
NUT MODEL		ER25
COLLET (mm)		Ø6, Ø6.35, Ø12, Ø12.7
RUNOUT OFF (mm)		LESS THAN 0.005
BEARINGS		2x7007(P4) + 2x7002C(P4)
COOLING		AIR COOLED
MATERIAL		STAINLESS STEEL
LUBRICATION		GREASE
WEIGHT (Kg) [lb]		8.85 [19.51]



B VIEW BOTTOM OF SHELL

DIMENSIONS ARE IN MILLIMETERS.  
TOLERANCES AS BELOW:  
DECIMALS ANGLES  
X ±0.5 ±2°  
XX ±0.25  
XXX ±0.13

THIRD ANGLE PROJECTION

SPECIFICATION	VALUE
CONNECTION	
POWER (kw)	3.5
VOLTAGE (VAC)	380
RATED CURRENT (A)	8.8
MAXIMUM SPEED (RPM)	18000
FREQUENCY	300
NUT MODEL	ER25
COLLET (mm)	Ø6, Ø6.35, Ø12, Ø12.7
RUNOUT OFF (mm)	LESS THAN 0.005
BEARINGS	2x7007(P4) + 2x7002C(P4)
COOLING	AIR COOLED
MATERIAL	STAINLESS STEEL
LUBRICATION	GREASE
WEIGHT (Kg) [lb]	8.85 [19.51]

SPECIFICATION	VALUE
DRN	YSX
APVD	-

REV.	SCALE	DWG NO.
1	1:1	A1846

**STEPPERONLINE®**  
SPINDLEMOTOR  
GDZ93x82-3.5C4