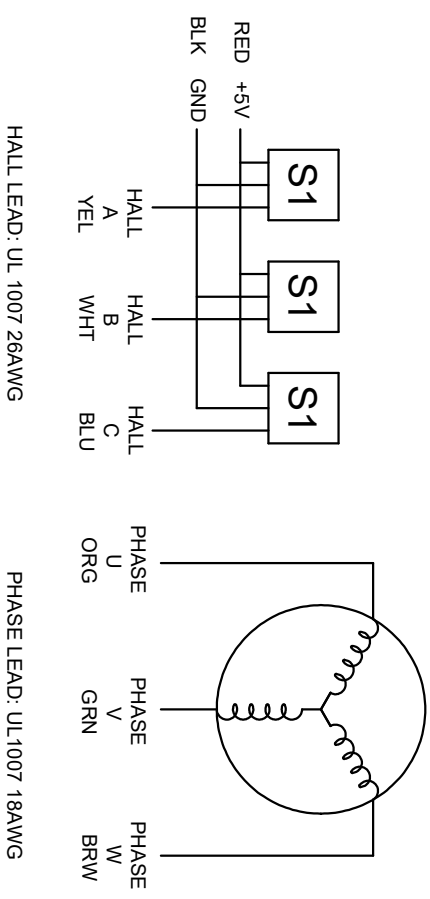


SPECIFICATION	VALUE
NO. of PHASES	3
NO. of POLES	4
RATED VOLTAGE(V)	36
RATED CURENT(A)	7.3±10%
RATED POWER(W)	184
RATED SPEED(RPM)	4000±10%
RATED TORQUE(mN.m)	440
HALL LEAD STYLE	UL 1007 AWG26
PHASE LEAD STYLE	UL 1007 AWG18
SENSOR	HALL SENSOR
INSULATION CLASS	CLASS B
INSULATION RESISTANCE	100MΩ MIN @ 500VDC
DIELECTRIC STRENGTH TEST	500VAC for 1 MINUTE
BEARING TYPE	NMB BALL BEARING, C3



		APVD		<h2>BRUSHLESS DC MOTOR</h2> <p>57BLR110-36-01</p>
		CHKD		
		DRN		
SCALE	1.5:1	SIGNATURE	DATE	