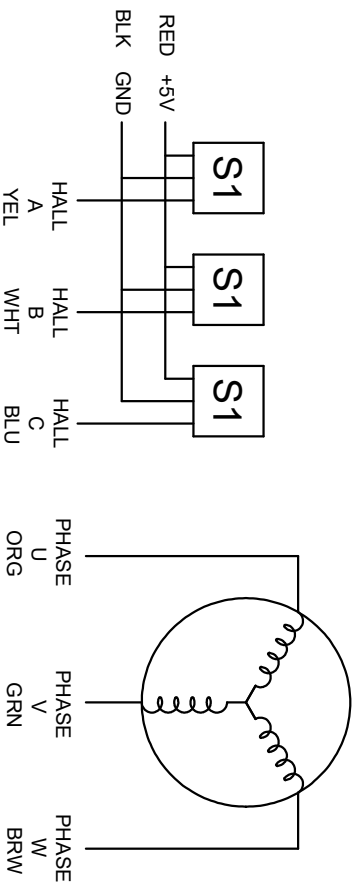


SPECIFICATION	VALUE
NO. of PHASES	3
NO. of POLES	4
RATED VOLTAGE(V)	36
RATED CURRENT(A)	5±10%
RATED POWER(W)	138
RATED SPEED(RPM)	4000±10%
RATED TORQUE(mN.m)	330
HALL LEAD STYLE	UL 1007 AWG26
PHASE LEAD STYLE	UL 1007 AWG18
SENSOR	HALL SENSOR
INSULATION CLASS	CLASS B
INSULATION RESISTANCE	100MΩ MIN @ 500VDC
DIELECTRIC STRENGTH TEST	500VAC for 1 MINUTE
BEARING TYPE	NMB BALL BEARING, C3



STEPPERONLINE

SCALE 1.5:1

APVD			
CHKD			
DRN			
SIGNATURE			
DATE			

BRUSHLESS DC MOTOR

57BLR90-36-01