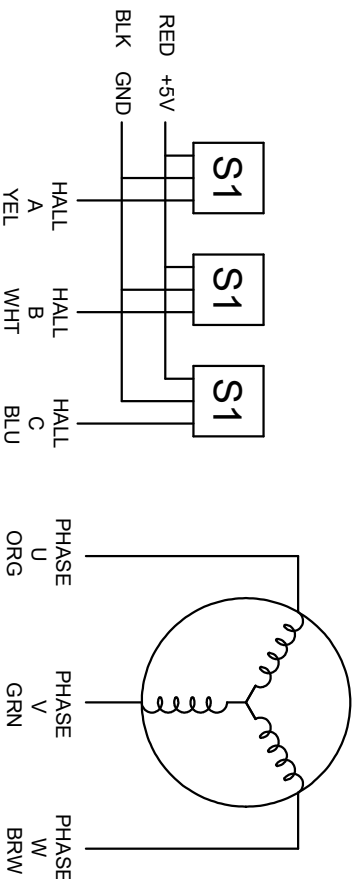


SPECIFICATION	VALUE
NO. of PHASES	3
NO. of POLES	4
RATED VOLTAGE(V)	36
RATED CURRENT(A)	2±10%
RATED POWER(W)	46
RATED SPEED(RPM)	4000±10%
RATED TORQUE(mN.m)	110
HALL LEAD STYLE	UL 1007 AWG26
PHASE LEAD STYLE	UL 1007 AWG22
SENSOR	HALL SENSOR
INSULATION CLASS	CLASS B
INSULATION RESISTANCE	100MΩ MIN @ 500VDC
DIELECTRIC STRENGTH TEST	500VAC for 1 MINUTE
BEARING TYPE	NMB BALL BEARING, C3

HALL LEAD: UL 1007 26AWG

PHASE LEAD: UL 1007 22AWG



**STEPPERONLINE**  
M O T O R S & E L E C T R O N I C S

SCALE 1.5:1

APVD  
CHKD  
DRN  
SIGNATURE

DATE

**BRUSHLESS DC MOTOR**

57BLR50-36-01