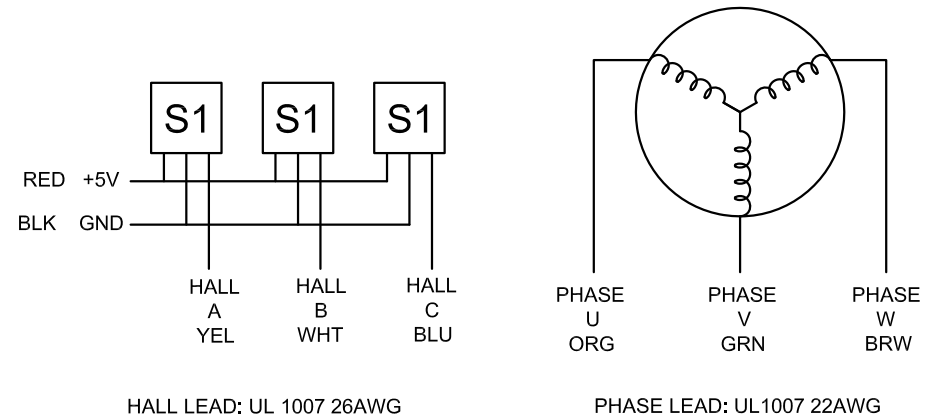


| SPECIFICATION            | VALUE                |
|--------------------------|----------------------|
| NO. of PHASES            | 3                    |
| NO. of POLES             | 4                    |
| RATED VOLTAGE(V)         | 24                   |
| RATED CURRENT(A)         | 0.91±10%             |
| RATED POWER(W)           | 13                   |
| RATED SPEED(RPM)         | 2000±10%             |
| RATED TORQUE(mN.m)       | 62                   |
| NO LOAD CURRENT(A)       | 0.13                 |
| NO LOAD SPEED(RPM)       | 3300                 |
| SENSOR                   | HALL SENSOR          |
| INSULATION CLASS         | CLASS B              |
| INSULATION RESISTANCE    | 100MΩ MIN @ 500VDC   |
| DIELECTRIC STRENGTH TEST | 500VAC for 1 MINUTE  |
| BEARING TYPE             | NMB BALL BEARING, C3 |



**STEPPERONLINE**  
Motors & Electronics

|       |           |      |  |
|-------|-----------|------|--|
|       | APVD      |      |  |
|       | CHKD      |      |  |
| 1.5:1 | DRN       |      |  |
| SCALE | SIGNATURE | DATE |  |

**BRUSHLESS DC MOTOR**

**42BLR43-24-01**