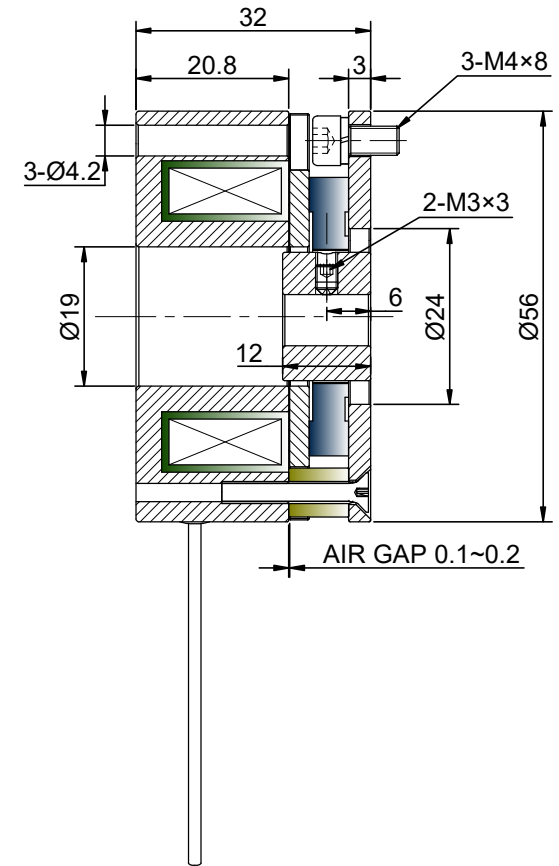
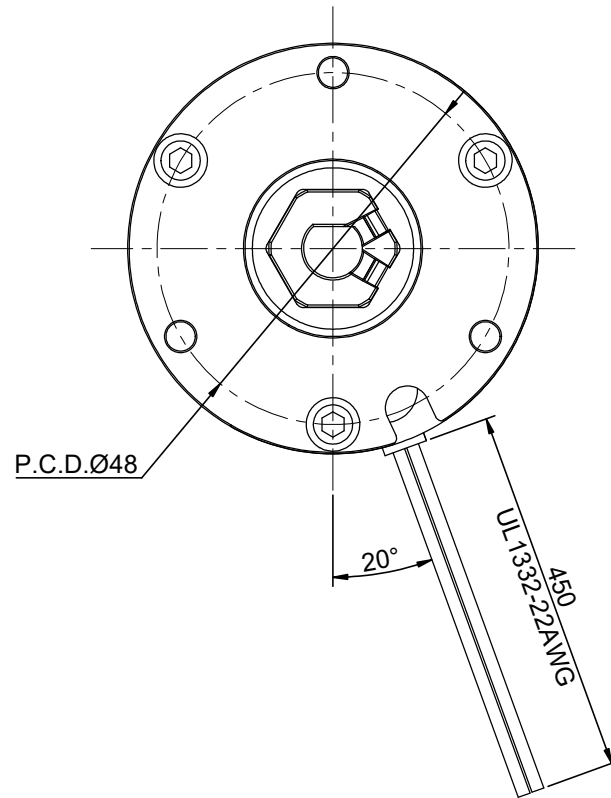
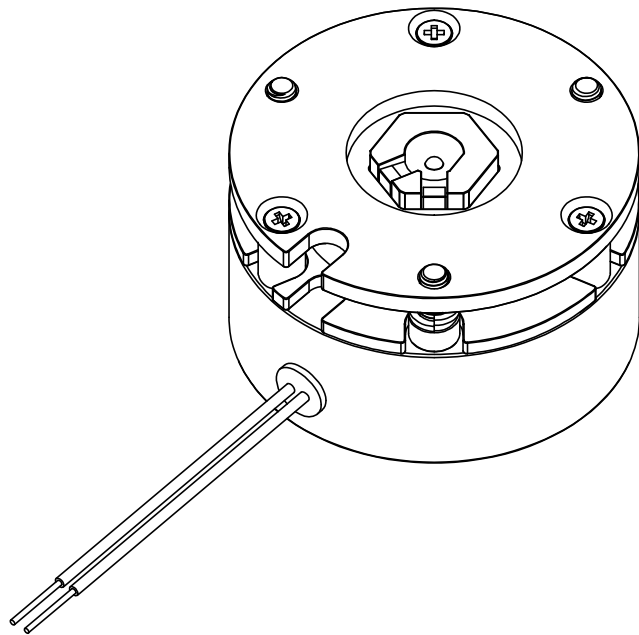
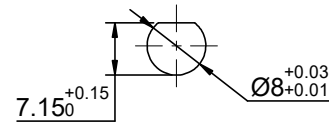


PARAMETER LIST

STATIC FRICTION TORQUE(Nm)	2.0	BRAKE CONNECTIONS
RATED VOLTAGE(V)@ 20°C	DC24±10%	24V 0.5N.m
RATED POWER(W)@20°C	11.5±10%	RED +
MAX SPEED(RPM)	5000	BLK -
HEAT-RESISTANCE CLASS	F	
WEIGHT(Kg)	0.4	



STEPPERONLINE®

	APVD	ZPJ	8.23.2023
	CKAD		
1:1	DRN	LDJ	8.23.2023
SCALE	SIGNATURE	DATE	

NON EXCITED BRAKE

SWB-03