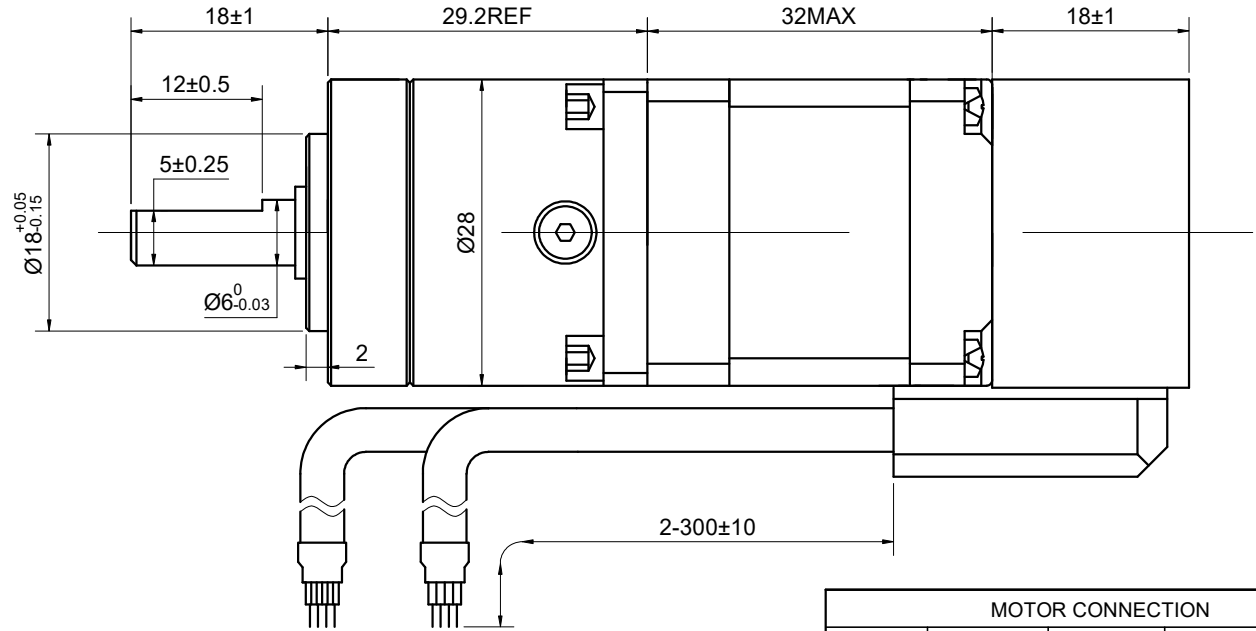
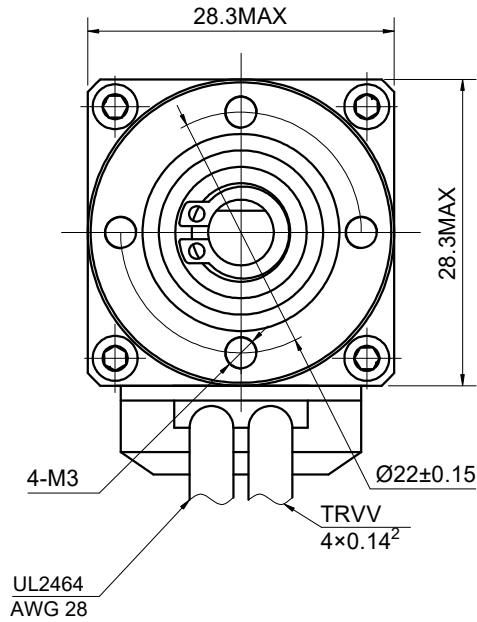


CUSTOMER'S MODEL: NO MODEL
 END COVER COLOR: BLACK

REV.	REVISION RECORD	BY	DATE
0	ORIGIN	LDJ	2.1.2024



MOTOR CONNECTION			
PIN NO	BIPOLAR	LEADS	WINDING
1	A+	BLK	
2	A-	GRN	
3	B+	RED	
4	B-	BLU	

SPECIFICATION	CONNECTION	BIPOLAR
AMPS/PHASE		1.00
RESISTANCE/PHASE(Ohms)@25°C		2.00±10%
INDUCTANCE/PHASE(mH)@1KHz		1.50±20%
HOLDING TORQUE w/o GEARBOX(Nm)[lb-in]		0.06[0.53]
STEP ANGLE w/o GEARBOX(°)		1.80
GEAR RATIO		5 ₁₁
GEAR EFFICIENCY		90%
BACKLASH@NO-LOAD		<=3°
MAX.PERMISSIBLE TORQUE(Nm)		3
MOMENT PERMISSIBLE TORQUE(Nm)		5
AMBIENT TEMPERATURE		-10°C~50°C[14°F~122°F]
INSULATION CLASS		B 130°C[266°F]
TEMPERATURE RISE		MAX.80°C

COMMENT:
 1.DYNAMIC AXIAL LOAD: 5N MAX
 2.DYNAMIC RADIAL LOAD @ SHAFT LENGTH 20mm: 25N MAX
 3.TMBF 6000h OR MORE @ 24V/300RPM
 4.INSULATION RESISTANCE (NORMAL TEMPERATURE AND HUMIDITY): 100 Mohm
 5.DIELECTRIC STRENGTH 500VAC FOR 1MIN.(BETWEEN THE MOTOR COILS AND THE MOTOR CASE)

ENCODER RESOLUTION:1000PPR(4000CPR)								
LEAD COLOR	RED	BLK	WHT	YEL	ORG	GRA	GRN	BLU
DESCRIPTION	VCC	GND	EA+	EA-	EB+	EB-	EZ+	EZ-

FULL STEP 2 PHASE-Ex.,WHEN FACING MOUNTING END (X)					CCW	CW	DIMENSIONS ARE IN MILLIMETERS. TOLERANCES AS BELOW: DECIMALS ANGLES X ±0.5 ±2° X.X ±0.25 X.XX ±0.13
STEP	A+	B+	A-	B-			
1	+	+	-	-			
2	-	+	+	-			
3	-	-	+	+			
4	+	-	-	+			

STEPPERONLINE®

STEPPER MOTOR

11HS12-1004D-E1000-PG5

SIGNATURE	DATE	REV.	0	SCALE	1:1	DWG NO.	A2863
DRN	LDJ	2.1.2024					
APVD	HW	2.1.2024					

THIS DOCUMENT SHALL NOT BE REPRODUCED NOR SHALL THE INFORMATION CONTAINED HEREIN BE USED BY OR DISCLOSED TO OTHERS UNLESS EXPRESSLY AUTHORIZED IN BY WRITING STEPPERONLINE.

SIGNATURE: DRN, LDJ, APVD
 DATE: 2.1.2024