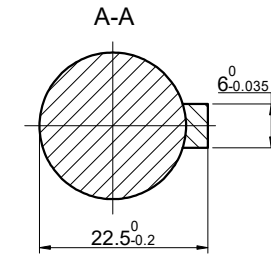
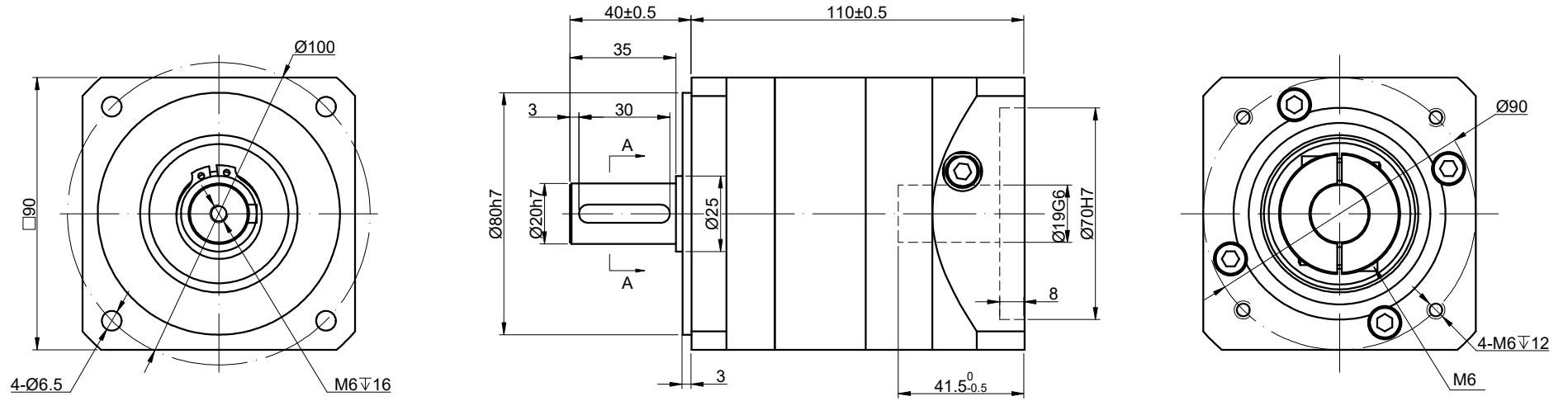


REV.	REVISION RECORD	BY	DATE
0	ORIGIN	LDJ	3.13.2024



1:2

SPECIFICATION	CONNECTION	VALUE
GEAR RATIO		3
EFFICIENCY		96%
BACKLASH@NO-LOAD(arcmin)		≤ 10
MAX.PERMISSIBLE TORQUE(Nm)[lb-in]		60.00[531.04]
MOMENT PERMISSIBLE TORQUE(Nm)[lb-in]		120.00[1062.08]
SHAFT MAXIMUM AXIAL LOAD(N)		800
SHAFT MAXIMUM RADIAL LOAD(N)		1000
GEARBOX MATCHING MOTOR'S INPUT SHAFT LENGTH (mm)		22~41
RATED INPUT SPEED(RPM)		3000
MAX. INPUT SPEED(RPM)		6000
NOISE(dB)		≤ 55
WATERPROOF RATING		IP54
LIFE(h)		20000
WORKING TEMPERATURE		$-20^{\circ}\text{C} \sim 150^{\circ}\text{C} [-4^{\circ}\text{F} \sim 302^{\circ}\text{F}]$

DIMENSIONS ARE IN MILLIMETERS.
TOLERANCES AS BELOW:
DECIMALS ANGLES
X ± 0.5 $\pm 2^{\circ}$
X.X ± 0.25
X.XX ± 0.13

THIRD ANGLE PROJECTION		
SIGNATURE		DATE
DRN	LDJ	3.13.2024
APVD	HW	3.14.2024

STEPPERONLINE®

GEARBOX

TG90-G3

REV.	1	SCALE	1:2	DWG NO.	A3008
------	---	-------	-----	---------	-------