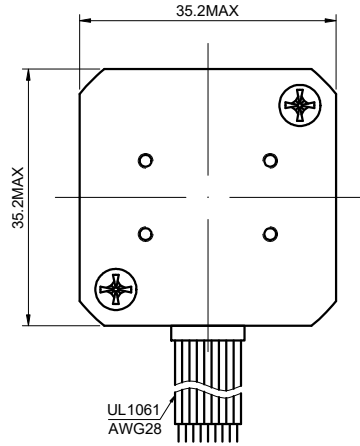
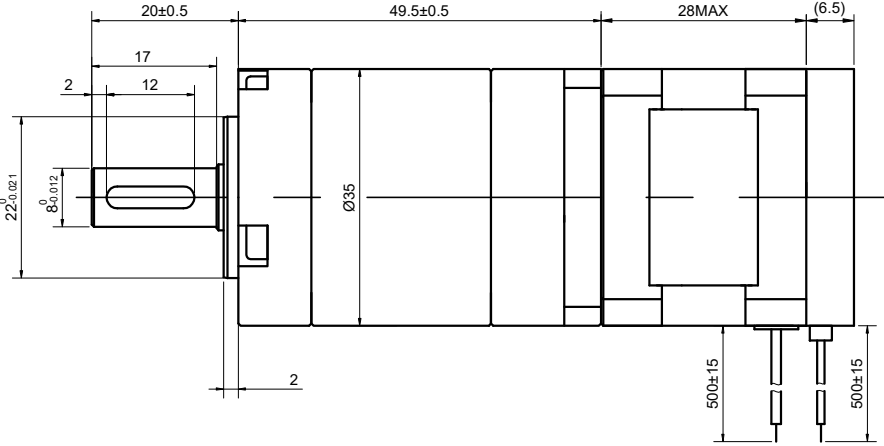
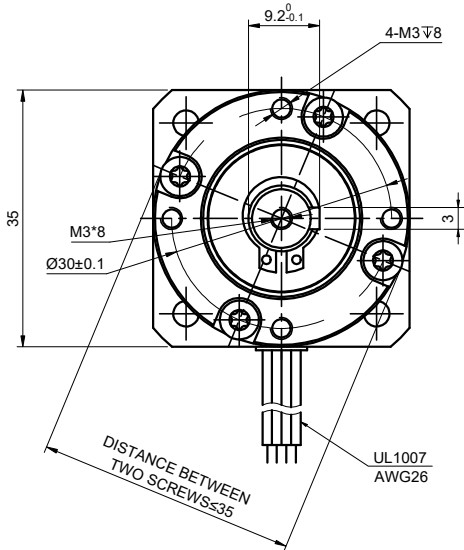


MODEL NO. 14HS11-1004D-EGS20-AR4 DWG NO. A2821

CUSTOMER'S MODEL: NO MODEL
END COVER COLOR: BLACK

REV.	REVISION RECORD	BY	DATE
0	ORIGIN	YSX	3.28.2024



SPECIFICATION	CONNECTION	BIPOLAR
AMPS/PHASE		1.00
RESISTANCE/PHASE(Ohms)@25°C		3.50±10%
INDUCTANCE/PHASE(mH)@1KHz		3.50±20%
HOLDING TORQUE w/o GEARBOX(Nm)[lb-in]		0.125[1.11]
STEP ANGLE w/o GEARBOX(°)		1.80
GEAR RATIO		20
GEAR EFFICIENCY		94%
BACKLASH@NO-LOAD(arcmin)		≤20
MAX PERMISSIBLE TORQUE(Nm)[lb-in]		8.50[75.23]
MOMENT PERMISSIBLE TORQUE(Nm)[lb-in]		17.00[150.46]
AMBIENT TEMPERATURE		-10°C~50°C[14°F~122°F]
INSULATION CLASS		B 130°C[266°F]
TEMPERATURE RISE		MAX.80°C

COMMENT:
 1.DYNAMIC AXIAL LOAD: 100N MAX
 2.DYNAMIC RADIAL LOAD :270N MAX
 3.TMBF 6000h OR MORE @ 24V/300RPM
 4.INSULATION RESISTANCE (NORMAL TEMPERATURE AND HUMIDITY): 100 Mohm
 5.DIELECTRIC STRENGTH 500VAC FOR 1MIN.(BETWEEN THE MOTOR COILS AND THE MOTOR CASE)

FULL STEP 2 PHASE-Ex.,WHEN FACING MOUNTING END (X)				
STEP	A+	B+	A-	B-
1	+	+	-	-
2	-	+	+	-
3	-	-	+	+
4	+	-	-	+

ENCODER CONNECTION:1000PPR(4000CPR)								
LEAD COLOR	RED	BLK	BRN	ORG	BLU	GRN	YEL	WHT
DESCRIPTION	+5V	EGND	EA+	EA-	EB+	EB-	EZ+	EZ-

MOTOR CONNECTION			
PIN NO	BIPOLAR	LEADS	WINDING
1	A+	BLK	
2	A-	GRN	
3	B+	RED	
4	B-	BLU	

DIMENSIONS ARE IN MILLIMETERS.
 TOLERANCES AS BELOW:
 DECIMALS ANGLES
 X ±0.5 ±2°
 X.X ±0.25
 X.XX ±0.13

SIGNATURE	DATE
DRN YSX	3.28.2024
APVD HW	3.28.2024

STEPPERONLINE®

STEPPER MOTOR

14HS11-1004D-EGS20-AR4

REV.	0	SCALE	1:1	DWG NO.	A2821
------	---	-------	-----	---------	-------