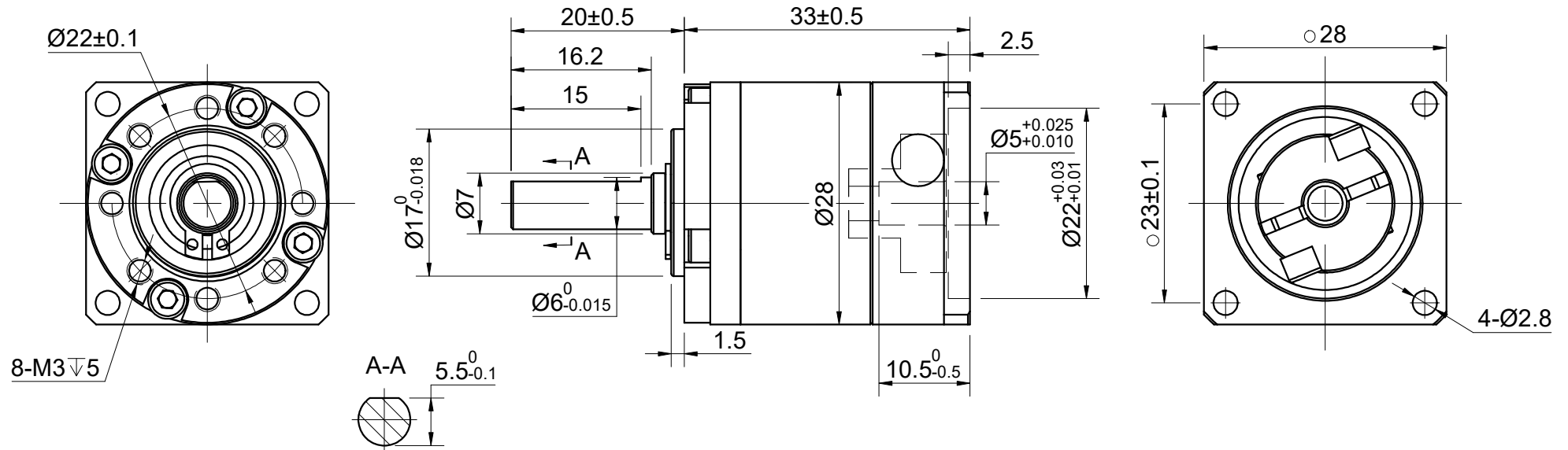


REV.	REVISION RECORD	BY	DATE
0	ORIGIN	LDJ	3.25.2024



SPECIFICATION	CONNECTION	VALUE
GEAR RATIO		5
EFFICIENCY		96%
BACKLASH@NO-LOAD(arcmin)		≤ 15
MAX.PERMISSIBLE TORQUE(Nm)[lb-in]		2.00[17.70]
MOMENT PERMISSIBLE TORQUE(Nm)[lb-in]		4.00[35.40]
SHAFT MAXIMUM AXIAL LOAD(N)		100
SHAFT MAXIMUM RADIAL LOAD(N)		300
GEARBOX MATCHING MOTOR'S INPUT SHAFT LENGTH (mm)		6.5-10.5
RATED INPUT SPEED(RPM)		1000
MAX. INPUT SPEED(RPM)		2000
NOISE(dB)		≤ 55
WATERPROOF RATING		IP54
LIFE(h)		20000
WORKING TEMPERATURE		$-20^{\circ}\text{C} \sim 150^{\circ}\text{C} [-4^{\circ}\text{F} \sim 302^{\circ}\text{F}]$

DIMENSIONS ARE IN MILLIMETERS.
 TOLERANCES AS BELOW:
 DECIMALS ANGLES
 X ± 0.5 $\pm 2^{\circ}$
 X.X ± 0.25
 X.XX ± 0.13

STEPPERONLINE®

PLANETARY GEARBOX

EGS11-G5

THIRD ANGLE PROJECTION	
SIGNATURE	DATE
DRN LDJ	3.25.2024
APVD HW	3.25.2024