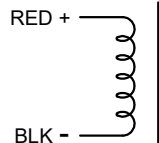
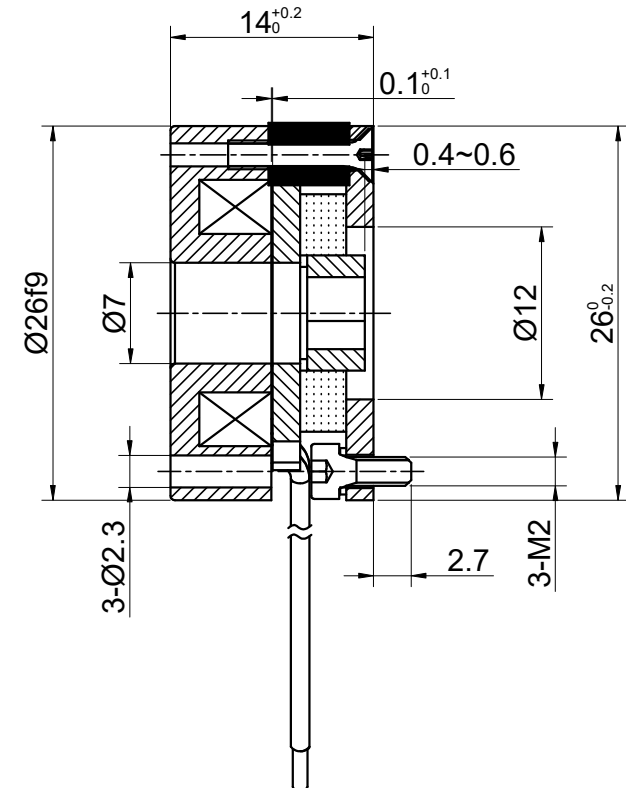
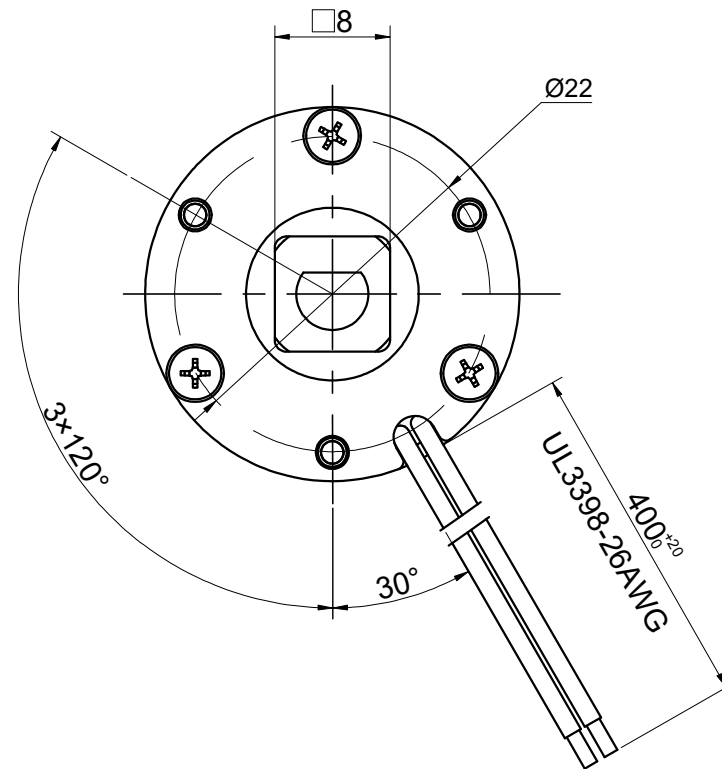
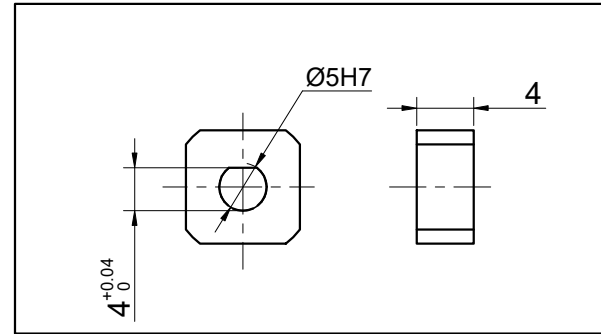


PARAMETER LIST

STATIC FRICTION TORQUE(Nm)	0.06	BRAKE CONNECTIONS 24V 0.5N.m RED +  BLK -
RATED VOLTAGE(V)@ 20°C	DC24±10%	
RATED POWER(W)@20°C	1.4±10%	
MAX SPEED(RPM)	6000	
HEAT-RESISTANCE CLASS	F	
WEIGHT(Kg)	--	
KEEP BRAKING(Times)	1 million	
EMERGENCY BRAKING(Times)	200	



STEPPERONLINE®

	APVD	LDJ	2.5.2024
	CKAD		
1:1.5	DRN	HW	2.5.2024
SCALE	SIGNATURE	DATE	

NON EXCITED BRAKE

SWB-003