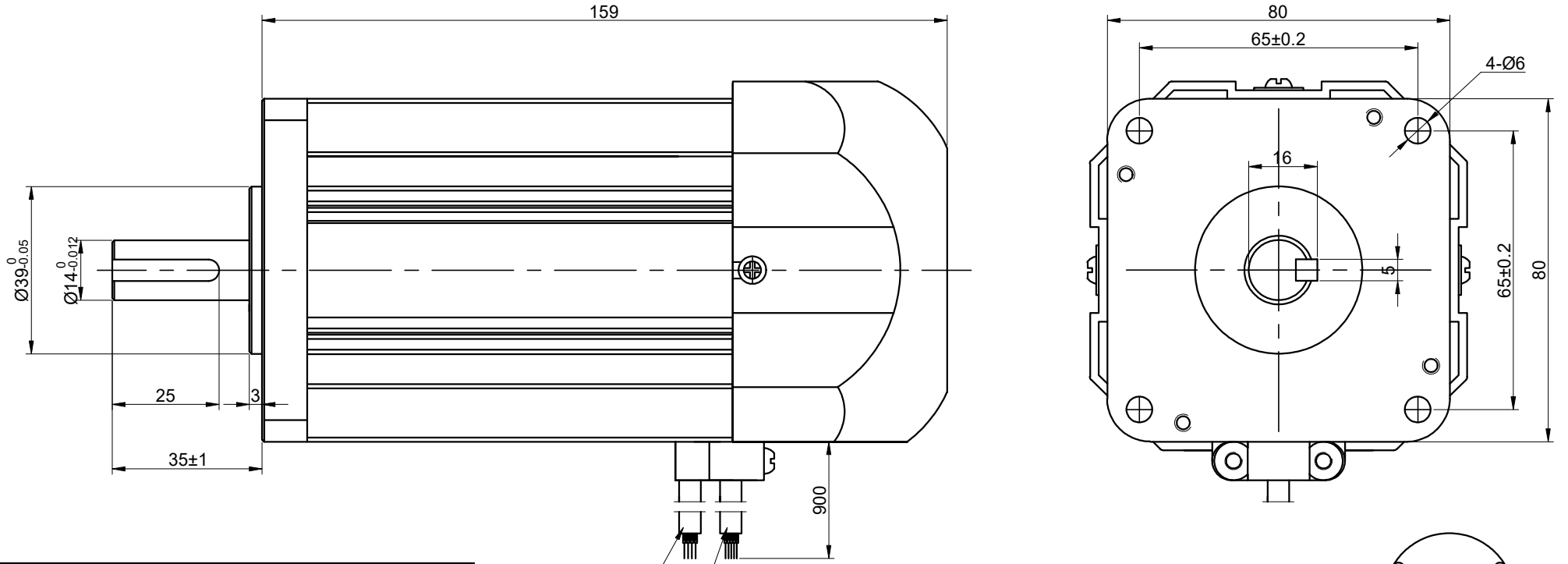


REV.	REVISION RECORD	BY	DATE
0	ORIGIN	ZPJ	11.23.2023

CUSTOMER'S MODEL: NO MODEL  
 END COVER COLOR: GRAY

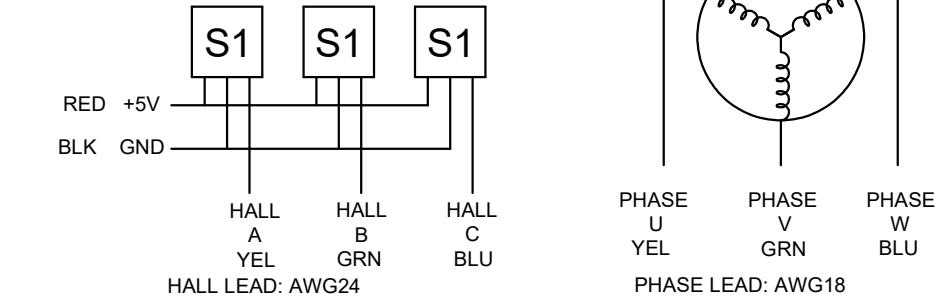


SPECIFICATION	VALUE
NO. of PHASES	3
NO. of POLES	4
RESISTANCE/PHASE(Ohms)@25°C	4.20±10%
INDUCTANCE/PHASE(mH)@1KHz	12.00±20%
RATED VOLTAGE(V)	310VDC
RATED TORQUE(N.m)	1.8
RATED POWER(W)	750
RATED SPEED(RPM)	4000±10%
RATED CURRENT(A)	3.0±10%
Ke(V/krpm)	41.5
SENSOR	HALL
AMBIENT TEMPERATURE	-10°C~50°C[14°F~122°F]
INSULATION CLASS	B 130°C[266°F]
TEMPERATURE RISE	MAX.80°C

4xAWG18  
 5xAWG24

COMMENT:  
 1.DYNAMIC AXIAL LOAD: 10N MAX  
 2.DYNAMIC RADIAL LOAD @ SHAFT LENGTH 20mm: 20N MAX  
 3.INSULATION RESISTANCE (NORMAL TEMPERATURE AND HUMIDITY): 100 Mohm  
 4.DIELECTRIC STRENGTH: AC600V CUT OFF CURRENT 5mA FOR 1S

THIS DOCUMENT SHALL NOT BE REPRODUCED NOR SHALL THE INFORMATION CONTAINED HEREIN BE USED BY OR DISCLOSED TO OTHERS UNLESS EXPRESSLY AUTHORIZED IN BY WRITING STEPPERONLINE.



DIMENSIONS ARE IN MILLIMETERS.  
 TOLERANCES AS BELOW:  
 DECIMALS ANGLES  
 X ±0.5 ±2°  
 X.X ±0.25  
 X.XX ±0.13

THIRD ANGLE PROJECTION

**STEPPERONLINE®**

**BRUSHLESS MOTOR**

**80BLS160F-310-01**

REV.	0	SCALE	1:2	DWG NO.	A2626
------	---	-------	-----	---------	-------

SIGNATURE		DATE
DRN	ZPJ	11.23.2023
APVD	LDJ	11.24.2023