

*User Manual*

# DM332T

2-Phase Digital Stepper Drive

Designed by StepperOnline<sup>®</sup>

Manufactured by Leadshine<sup>®</sup>

# STEPPERONLINE

#7 Zhongke Road, Jiangning, Nanjing, China  
T: 0086-2587156578

Web site: [www.omc-stepperonline.com](http://www.omc-stepperonline.com)

E-Mail: [sales@stepperonline.com](mailto:sales@stepperonline.com)

# Table of Contents

|   |    |
|---|----|
| <b>1. Introductions</b> .....                                 | 1  |
| 1.1 Features.....   | 1  |
| 1.2 Applications.....   | 1  |
| <b>2. Specifications</b> .....                                | 1  |
| 2.1 Electrical Specifications.....                            | 1  |
| 2.2 Environment.....  | 2  |
| 2.3 Mechanical Specifications.....                            | 2  |
| 2.4 Elimination of Heat.....                                  | 2  |
| <b>3. Connection Pin Assignments and LED Indication</b> ..... | 3  |
| 3.1 Connector P1 Configurations.....                          | 3  |
| 3.2 Connector P2 Configurations.....                          | 3  |
| 3.3 LED Light Indication.....                                 | 4  |
| <b>4. Control Signal Connector (P1) Interface</b> .....       | 4  |
| <b>5. Motor Connection</b> .....                              | 5  |
| 5.1 Connections of 4-lead Motor.....                          | 5  |
| 5.2 Connections of 6-lead Motor.....                          | 5  |
| <b>5.2.1 Half Coil Configuration</b> .....                    | 5  |
| <b>5.2.2 Full Coil Configuration</b> .....                    | 5  |
| 5.3 Connections of 8-lead Motor.....                          | 6  |
| <b>5.3.1 Series Connection</b> .....                          | 6  |
| <b>5.3.2 Parallel Connection</b> .....                        | 6  |
| <b>6. Power Supply Selection</b> .....                        | 6  |
| 6.1 Regulated or Unregulated Power Supply.....                | 7  |
| 6.2 Power Supply Sharing.....                                 | 7  |
| 6.3 Selecting Supply Voltage.....                             | 7  |
| <b>7. DIP Switch Configurations</b> .....                     | 7  |
| 7.1 Microstep Resolution Configurations.....                  | 7  |
| 7.2 Current Configurations.....                               | 8  |
| <b>7.2.1 Dynamic Current Configurations</b> .....             | 8  |
| <b>7.2.2 Standstill Current Configuration</b> .....           | 8  |
| 7.3 Automatic Motor Matching & Self Configuration.....        | 8  |
| <b>8. Wiring Notes</b> .....                                  | 9  |
| <b>9. Typical Connection</b> .....                            | 9  |
| <b>10. Sequence Chart of Control Signals</b> .....            | 9  |
| <b>11. Protection Functions</b> .....                         | 10 |
| <b>12. Troubleshooting</b> .....                              | 11 |

## 1. Introductions

The DM332T is a digital stepper drive with simple design and easy setup. By implementing advanced stepper control technology, this stepper drive is able to power 2-phase and 4 phase stepper motors smoothly with optimal torque and low motor heating & noise. Its operating voltage is 10-30VDC and it can output up to 2.2A current. All the micro step and output current are done via DIP switches. Therefore, the DM332T are ideal choices for applications requiring simple step & direction control of NEMA11, 14, 16, 17 stepper motors.

### 1.1 Features

- Anti-Resonance for optimal torque, extra smooth motion, low motor heating and noise
- Motor auto-identification and parameter auto-configuration for optimal torque from wide-range motors
- Step & direction (PUL/DIR) control
- Multi-Stepping for smooth motor movement
- Optically isolated inputs
- Input voltage 10-30VDC
- 8 selectable micro-step resolutions of 400-12800 via DIP switches
- 8 selectable output current settings of 1 – 3.2A via DIP switches
- Soft-start with no “jump” when powered on
- Pulse input frequency up to 60 KHz.
- Automatic idle-current reduction
- Protections for over-voltage and over-current

### 1.2 Applications

The DM332T stepper drive are designed to power 2 phase (1.8°) or 4-phase (0.9°) NEMA11, 14, 16, 17 hybrid stepper motors. It can be easily adopted in many industries (CNC, medical, automation, packaging...), such as X-Y tables, engraving machines, labeling machines, mills, plasma, laser cutters, pick and place devices, and so on. Its excellent performance, simple design, and easy setup make it ideal for many step & direction control type applications.

## 2. Specifications

### 2.1 Electrical Specifications

| Parameters              | DM332T       |         |               |      |
|-------------------------|--------------|---------|---------------|------|
|                         | Min          | Typical | Max           | Unit |
| Output Current          | 1.0(0.7 RMS) | -       | 3.2 (2.3 RMS) | A    |
| Supply Voltage          | 10           | 24      | 30            | VDC  |
| Logic signal current    | 7            | 10      | 16            | mA   |
| Pulse input frequency   | 0            | -       | 60            | kHz  |
| Minimal pulse width     | 7.5          | -       | -             | μS   |
| Minimal direction setup | 7.5          | -       | -             | μS   |
| Isolation resistance    | 100          |         |               | MΩ   |

## 2.2 Environment

| Cooling               | Natural Cooling or Forced cooling |   |
|-----------------------|-----------------------------------|---|
| Operating Environment | Environment                       | Avoid dust, oil fog and corrosive gases |
|                       | Ambient Temperature               | 0°C — 65°C (32°F - 149°F)               |
|                       | Humidity                          | 40%RH—90%RH                             |
|                       | Operating Temperature             | 0°C — 50°C (32°F - 122°F)               |
|                       | Vibration                         | 10-50Hz / 0.15mm                        |
| Storage Temperature   | -20°C — 65°C (-4°F - 149°F)       |   |
| Weight                | Approx. 90g (3.5 oz)              |   |

## 2.3 Mechanical Specifications

(unit: mm [1inch=25.4mm])

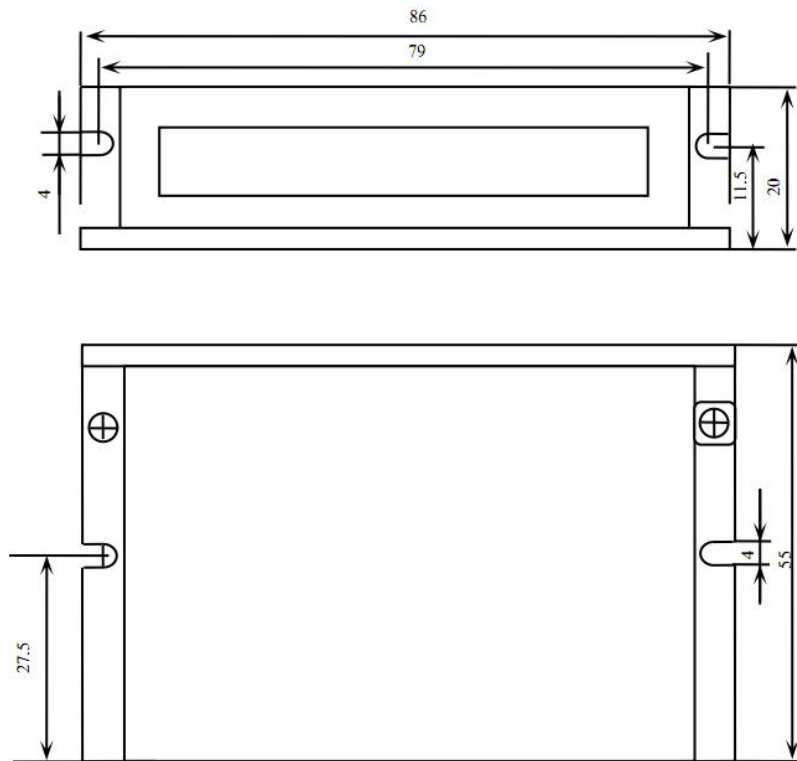


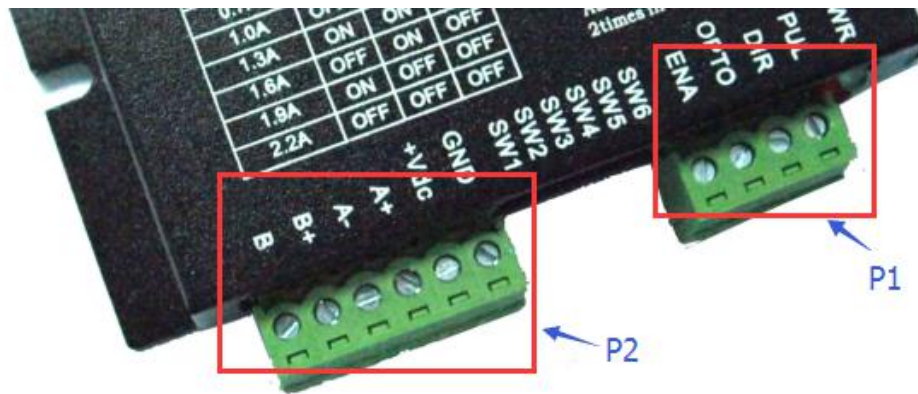
Figure 1: Mechanical specifications

**\* Side mounting recommended for better heat dissipation**

## 2.4 Elimination of Heat

- DM332T reliable working temperature should be < 60°C (140°F)
- It is recommended to mount the drive vertically to maximize heat sink area. Use forced cooling method to cool if necessary.

## 3. Connection Pin Assignments and LED Indication



The DM332T has two connector blocks P1&P2 (see above picture). P1 is for control signals connections, and P2 is for power and motor connections. The following tables are brief descriptions of the two connectors. More detailed descriptions of the pins and related issues are presented in section 4, 5, 9.

### 3.1 Connector P1 Configurations

| Pin Function | Details   |
|--------------|---|
| PUL          | <u>Pulse signal:</u> Pulse active at rising edge; 4-5V when PUL-HIGH, 0-0.5V when PUL-LOW. Minimal pulse width of 2.5µs. Add a resistor for current-limiting at +12V or +24V input logic voltage (1K for +12V, 2k for +24V). The same as DIR and ENA signals.   |
| DIR          | <u>DIR signal:</u> This signal has low/high voltage levels to represent two directions of motor rotation.. Minimal direction setup time of 5µs. Also swapping the connection of two wires of a coil (e.g. A+ and A-) to the drive will reverse motor direction.   |
| OPTO         | Opto-coupler power supply, and the typical voltage is +5V. Series connect resistors (at the PUL, DIR, ENA terminals) for current-limiting when +12V or +24V used.   |
| ENA          | <u>Enable signal:</u> This signal is used for enabling/disabling the drive. High level +5V (NPN control signal) for enabling the drive and low level for disabling the drive. PNP and Differential control signals are on the contrary, namely Low level for enabling. By default it is left <b>UNCONNECTED (ENABLED)</b> . |



**Notes:** (1) shielding control signal wires is suggested; (2) To avoid interference, don't tie PUL/DIR control signal and motor wires together

### 3.2 Connector P2 Configurations

| Pin Function | Details   |
|--------------|---|
| GND          | Power supply ground connection.   |
| +Vdc         | Power supply positive connection. Suggest 24VDC power supply voltage            |
| A+, A-       | Motor Phase A connections. Connect motor A+ wire to A+ Pin; motor A- wire to A- |
| B+, B-       | Motor Phase B connections. Connect motor B+ wire to B+ Pin; motor B- wire to B- |



**Warning:** Don't plug or unplug the P1 & P2 terminal block to avoid drive damage or injury when DM332T is powered on.

### 3.3 LED Light Indication

There are two LED lights for DM332T. The GREEN one is the power indicator which will be always on generally. The RED one is a protection indicator which will flash 1-2 times in a 3-second period, when protection enabled for a DM332T. Different number of flashes indicates different protection type (read section 11 for detail).

## 4. Control Signal Connector (P1) Interface

The DM332T can accept differential and single-ended inputs (including open-collector and PNP output). The DM332T has 3 optically isolated logic inputs which are located on connector P1 to accept line drive control signals. These inputs are isolated to minimize or eliminate electrical noises coupled with the drive control signals. Recommend using line drive control signals to increase noise immunity for the drive in interference environments. In the following figures, connections to open-collector and PNP signals are illustrated.

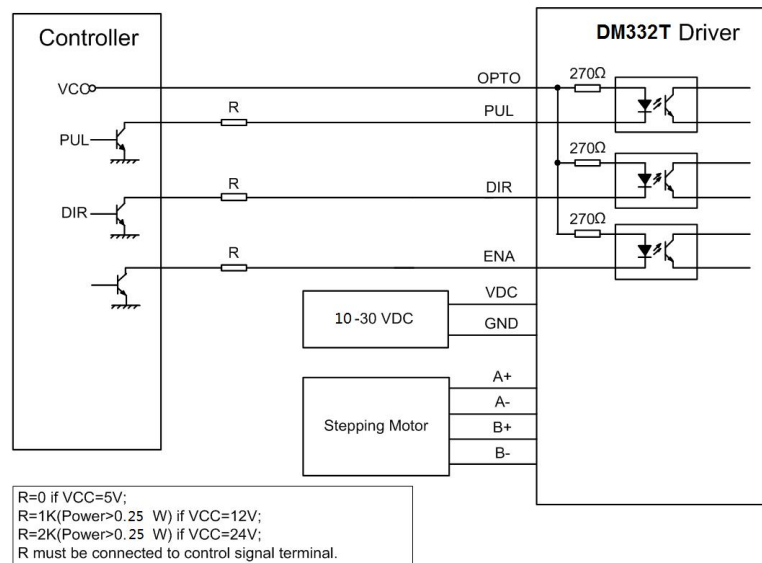


Figure 2: Connections to open-collector signal (common-anode)

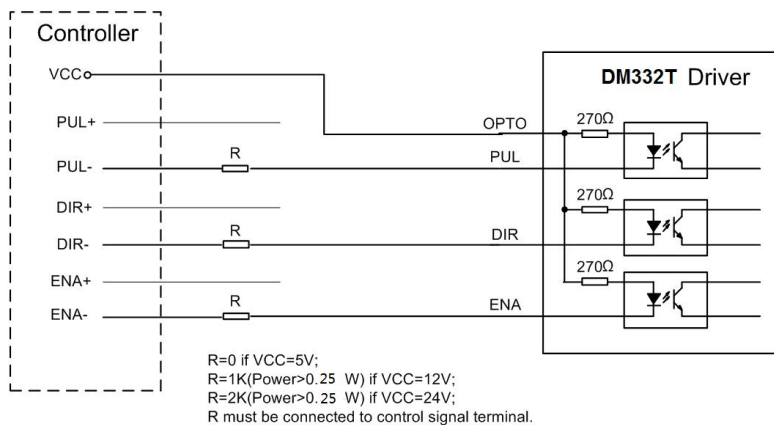


Figure 3: Connections to difference control signal

## 5. Motor Connection

The DM332T can drive 2-phase and 4-phase bipolar hybrid stepper motors with 4, 6, or 8 wires.

### 5.1 Connections of 4-lead Motor

The 4 lead motors are the least flexible and easy to connect. And the Speed – torque of motor depends on winding inductance. The output current from drive that is multiply the specified phase current by 1.4 to determine the peak output current.

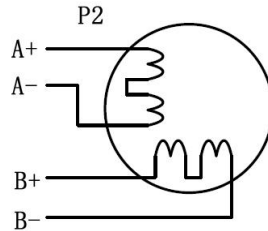


Figure 4: 4-lead Motor Connections

### 5.2 Connections of 6-lead Motor

Like 8 lead stepping motors, 6 lead motors have two configurations available for high speed or high torque operations. The higher speed configuration, or half coil, is described, because it uses one half of the motor’s inductor windings. The higher torque configuration, or full coil, uses the full coil windings.

#### 5.2.1 Half Coil Configuration

As previously stated, the half coil configuration uses 50% of the motor phase windings. This gives lower inductance, hence, lower torque output. Like the parallel connection of 8 lead motor, the torque output will be more stable at higher speeds. This configuration is also referred to as half chopper. In setting the drive output current multiply the specified per phase (or unipolar) current rating by 1.4 to determine the peak output current.

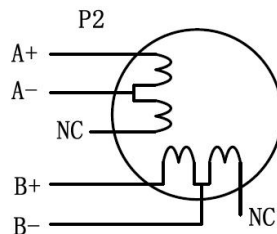


Figure 5: 6-lead motor half coil (higher speed) connections

#### 5.2.2 Full Coil Configuration

The full coil configuration on a six lead motor should be used in applications where higher torque at lower speed is desired. This configuration is also referred to as full copper. In full coil mode, the motors should be run at only 70% of their rated current to prevent overheating.

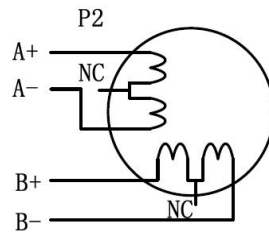


Figure 6: 6-lead motor full coil (higher torque) connections

### 5.3 Connections of 8-lead Motor

8 lead motors offer a high degree of flexibility to the system designer in that they may be connected in series or parallel, thus satisfying a wide range of applications.

#### 5.3.1 Series Connection

A series motor configuration would typically be used in applications where a higher torque at lower speed is required. Because this configuration has the most inductance, the performance will start to degrade at higher speed. In series mode, the motors should also be run at only 70% of their rated current to prevent overheating.

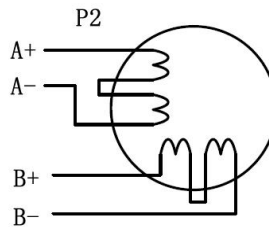


Figure 7: 8-lead motor series connections

#### 5.3.2 Parallel Connection

An 8 lead motor in a parallel configuration offers a more stable, but lower torque at lower speeds. But because of the lower inductance, there will be higher torque at higher speeds. Multiply the phase (or unipolar) current rating by 1.96, or the bipolar current rating by 1.4, to determine the peak output current.

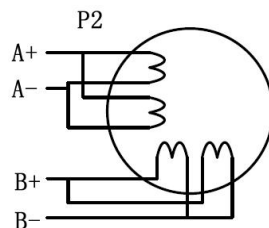


Figure 8: 8-lead motor parallel connections

## 6. Power Supply Selection

The DM332T can power medium and small size stepping motors (frame size from NEMA11 to 17). To get good



driving performances, it is important to select supply voltage and output current properly. Generally speaking, supply voltage determines the high speed performance of the motor, while output current determines the output torque of the driven motor (particularly at lower speed). Higher supply voltage will allow higher motor speed to be achieved, at the price of more noise and heating. If the motion speed requirement is low, it's better to use lower supply voltage to decrease noise, heating and improve reliability.

### 6.1 Regulated or Unregulated Power Supply

Both regulated and unregulated power supplies can be used to supply the drive. However, unregulated power supplies are preferred due to their ability to withstand current surge and fast response for current change. If you prefer to a regulated power supply, it is suggested to choose such a power supply specially designed for stepper/servo controls Or, in the case when only normal switching power supplies are available, it is important to use "OVERSIZE" high current output rating power supplies (for example, using a 4A power supply for 3A stepper motor) to avoid problems such as current clamp. On the other hand, if unregulated supply is used, one may use a power supply of lower current rating than that of motor (typically 50%~70% of motor current). The reason is that the drive draws current from the power supply capacitor of the unregulated supply only during the ON duration of the PWM cycle, but not during the OFF duration. Therefore, the average current withdrawn from power supply is considerably less than motor current. For example, two 3A motors can be well supplied by one power supply of 4A rating.

### 6.2 Power Supply Sharing

Multiple DM332T drives can share one power supply to reduce cost, if that power supply has enough power capacity. To avoid cross interference, connect each stepper drive directly to the shared power supply separately. To avoid cross interference, DO NOT daisy-chain connect the power supply input pins of the Drivers. Instead connect them to power supply separately.

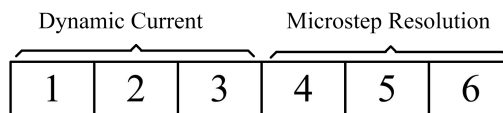
### 6.3 Selecting Supply Voltage

The DM332T is designed to operate within 10-30VDC voltage input. When selecting a power supply, besides voltage from the power supply power line voltage fluctuation and back EMF voltage generated during motor deceleration needs also to be taken into account. Ideally it is suggested to use a power supply with the output voltage of 24VDC, leaving room for power line voltage fluctuation and back-EMF.

Higher supply voltage can increase motor torque at higher speeds, thus helpful for avoiding losing steps. However, higher voltage may cause bigger motor vibration at lower speed, and it may also cause over-voltage protection or even drive damage. Therefore, it is suggested to choose only sufficiently high supply voltage for intended applications.

## 7. DIP Switch Configurations

This drive uses an 6-bit DIP switch to set microstep resolution, and motor operating current, as shown below:



### 7.1 Microstep Resolution Configurations

Microstep resolution is set by SW4, 5, 6 of the DIP switches as shown in the following table:

| Microstep | Steps/rev.(for 1.8°motor) | SW4 | SW5 | SW6 |
|-----------|---------------------------|-----|-----|-----|
| 2         | 400                       | ON  | ON  | ON  |
| 4         | 800                       | OFF | ON  | ON  |
| 8         | 1600                      | ON  | OFF | ON  |
| 16        | 3200                      | OFF | OFF | ON  |
| 32        | 6400                      | ON  | ON  | OFF |
| 64        | 12800                     | OFF | ON  | OFF |
| 20        | 4000                      | ON  | OFF | OFF |
| 40        | 8000                      | OFF | OFF | OFF |

## 7.2 Current Configurations

For a given motor, higher drive current will make the motor to output more torque, but at the same time causes more heating in the motor and drive. Therefore, output current is generally set to be such that the motor will not overheat for long time operation. Since parallel and serial connections of motor coils will significantly change resulting inductance and resistance, it is therefore important to set drive output current depending on motor phase current, motor leads and connection methods. Phase current rating supplied by motor manufacturer is important in selecting drive current, however the selection also depends on leads and connections.

The first three bits (SW1, 2, 3) of the DIP switch are used to set the dynamic current. Select a setting closest to your motor's required current.

### 7.2.1 Dynamic Current Configurations

| Peak Current | RMS Current | SW1 | SW2 | SW3 |
|--------------|-------------|-----|-----|-----|
| 1.0A         | 0.71A       | ON  | ON  | ON  |
| 1.31A        | 0.94A       | OFF | ON  | ON  |
| 1.63A        | 1.16A       | ON  | OFF | ON  |
| 1.94A        | 1.39A       | OFF | OFF | ON  |
| 2.24A        | 1.60A       | ON  | ON  | OFF |
| 2.55A        | 1.82A       | OFF | ON  | OFF |
| 2.87A        | 2.05A       | ON  | OFF | OFF |
| 3.20A        | 2.29A       | OFF | OFF | OFF |

**Notes:** Due to motor inductance, the actual current in the coil may be smaller than the dynamic current setting, particularly under high speed condition.

### 7.2.2 Standstill Current Configuration

The standstill current is set to be 50% of the selected output current. It means standstill current automatically reduced to 50% of the selected dynamic current 0.4 second after the last pulse.

## 7.3 Automatic Motor Matching & Self Configuration

When powered on a DM332T will automatically configure itself with the best settings to match the driven stepper motor for optimal performance. No action is needed.

## 8. Wiring Notes

- In order to improve anti-interference performance of the drive, it is recommended to use twisted pair shield cable.
- To prevent noise incurred in PUL/DIR signal, pulse/direction signal wires and motor wires should not be tied up together. It is better to separate them by at least 10 cm, otherwise the disturbing signals generated by motor will easily disturb pulse direction signals, causing motor position error, system instability and other failures.
- If only one power supply serves multiple DM332T drives, separately connecting the drives to the power supply is recommended instead of daisy-chaining.
- It is prohibited to pull and plug connector P2 while the drive is powered ON, because there is high current flowing through motor coils (even when motor is at standstill). Pulling or plugging connector P2 with power on will cause extremely high back-EMF voltage surge, which may damage the drive.

## 9. Typical Connection

A complete stepping system should include stepping motor, stepping drive, power supply and controller (pulse generator). A typical connection is shown as figure 9.

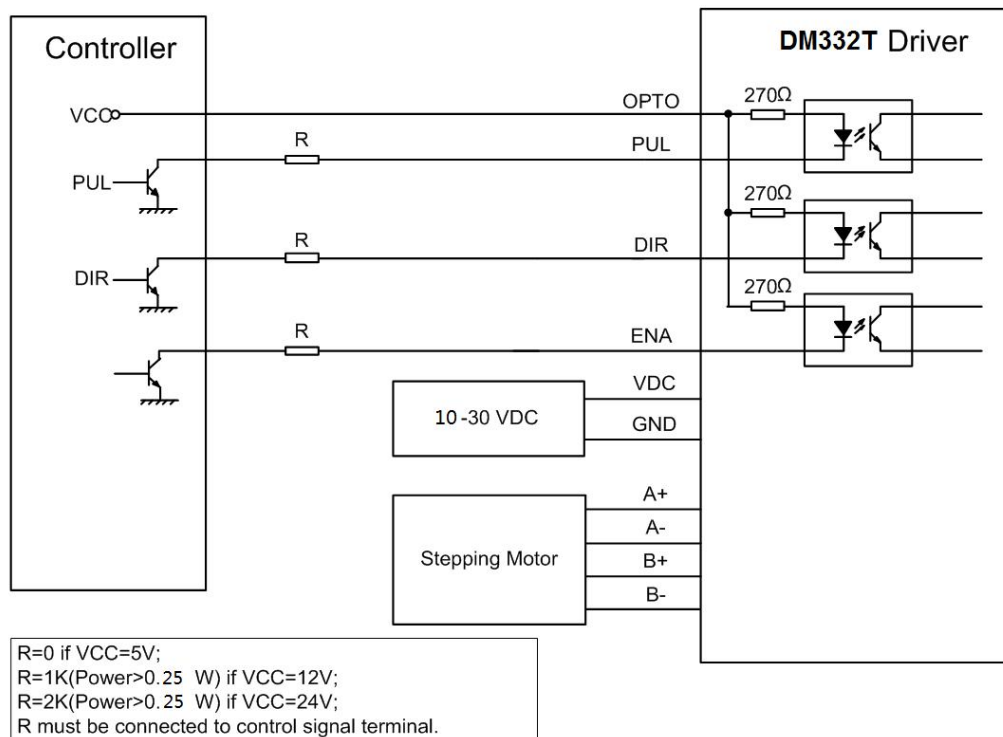


Figure 9: Typical connection

## 10. Sequence Chart of Control Signals

In order to avoid some fault operations and deviations, PUL, DIR and ENA should abide by some rules, shown as following diagram:

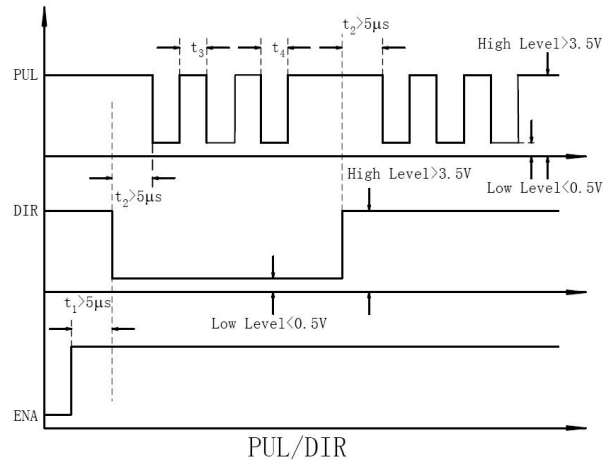


Figure 10: Sequence chart of control signals

**Remark:**

- a) t1: ENA must be ahead of DIR by at least 5µs. Usually, ENA+ and ENA- are NC (not connected). See “Connector P1 Configurations” for more information.
- b) t2: DIR must be ahead of PUL effective edge by 5µs to ensure correct direction;
- c) t3: Pulse width not less than 7.5µs;
- d) t4: Low level width not less than 7.5µs.

## 11. Protection Functions

To improve reliability, the drive incorporates some built-in protections features.

| Priority | Time(s) of Blink | Sequence wave of red LED | Description  |
|----------|------------------|--------------------------|--|
| 1st      | 1                |                          | Over-current protection activated when peak current exceeds the limit.             |
| 2nd      | 2                |                          | Over-voltage protection activated when drive working voltage is greater than 34VDC |
| 3rd      | 3                |                          | Reserved.  |

When above protections are active, the motor shaft will be free or the red LED blinks. Reset the drive by repowering it to make it function properly after removing above problems.

## 12. Troubleshooting

In the event that your drive doesn't operate properly, the first step is to identify whether the problem is electrical or mechanical in nature. The next step is to isolate the system component that is causing the problem. As part of this process you may have to disconnect the individual components that make up your system and verify that they operate independently. It is important to document each step in the troubleshooting process. You may need this documentation to refer back to at a later date, and these details will greatly assist our Technical Support staff in determining the problem should you need assistance.

Many of the problems that affect motion control systems can be traced to electrical noise, controller software errors, or mistake in wiring.

### Problem Symptoms and Possible Causes

| Symptoms                                    | Possible Problems                                       |
|---|---|
| <b>Motor is not rotating</b>                | No power  |
|   | Microstep resolution setting is wrong                   |
|   | DIP switch current setting is wrong                     |
|   | Fault condition exists                                  |
|   | The drive is disabled                                   |
| <b>Motor rotates in the wrong direction</b> | Motor phases may be connected in reverse                |
| <b>The drive in fault</b>                   | DIP switch current setting is wrong                     |
|   | Something wrong with motor coil                         |
| <b>Erratic motor motion</b>                 | Control signal is too weak                              |
|   | Control signal is interfered                            |
|   | Wrong motor connection                                  |
|   | Something wrong with motor coil                         |
|   | Current setting is too small, losing steps              |
| <b>Motor stalls during acceleration</b>     | Current setting is too small                            |
|   | Motor is undersized for the application                 |
|   | Acceleration is set too high                            |
|   | Power supply voltage too low                            |
| <b>Excessive motor and drive heating</b>    | Inadequate heat sinking / cooling                       |
|   | Automatic current reduction function not being utilized |
|   | Current is set too high                                 |