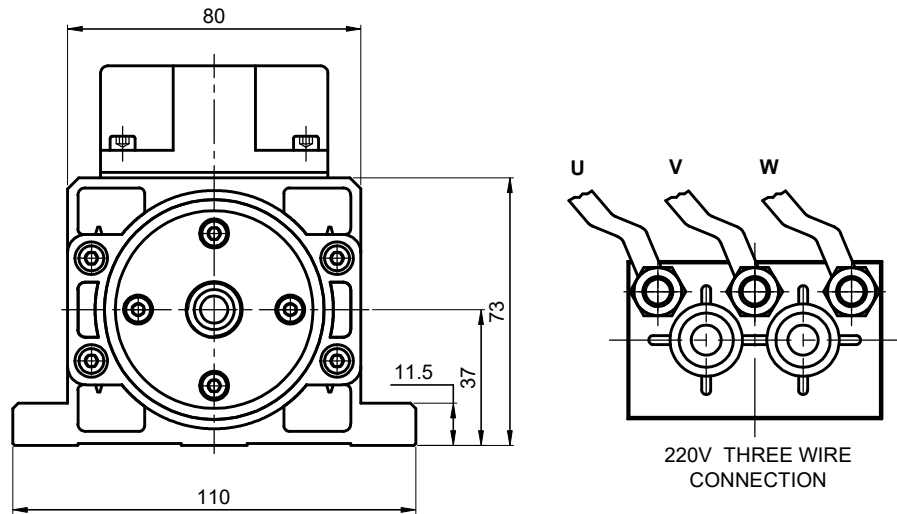
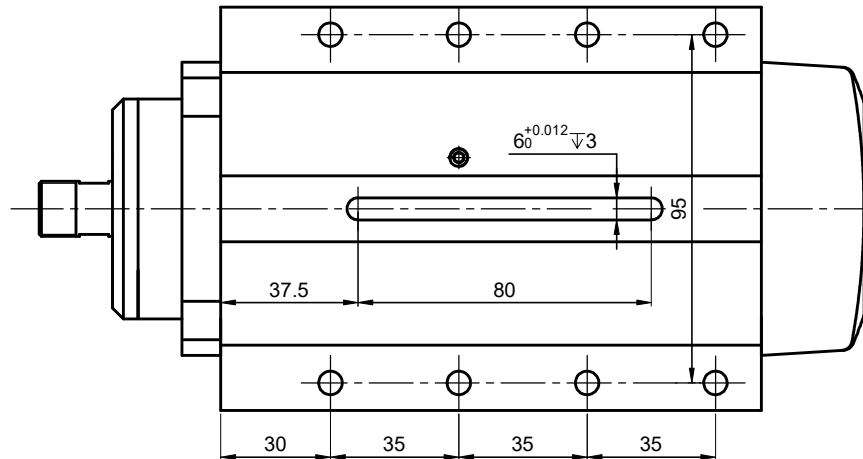
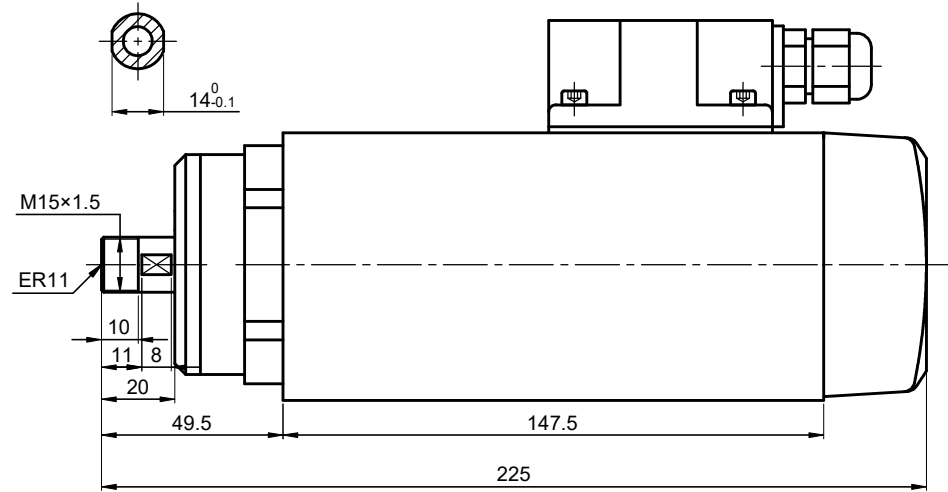


CUSTOMER'S MODEL: NO MODEL



220V THREE WIRE CONNECTION



SPECIFICATION	VALUE
RATED TORQUE(Nm)[lb-in]	0.6[5.31]
POWER (Kw)	1.5
VOLTAGE (VAC)	220
RATED CURRENT (A)	5.00
MAXIMUM SPEED (RPM)	24000
FREQUENCY (Hz)	400
NUT MODEL	ER11
RUNOUT OFF (mm)	LESS THAN 0.005
BEARINGS	4
COOLING	AIR COOLED
MATERIAL	STAINLESS STEEL
EFFICIENCY	<0.01mm
WEIGHT (Kg) [lb]	5[11.02]

THIS DOCUMENT SHALL NOT BE REPRODUCED NOR SHALL THE INFORMATION CONTAINED HEREIN BE USED BY OR DISCLOSED TO OTHERS UNLESS EXPRESSLY AUTHORIZED IN BY WRITING STEPPERONLINE.

DIMENSIONS ARE IN MILLIMETERS.
TOLERANCES AS BELOW:
DECIMALS ANGLES
X ±0.5 ±2°
X.X ±0.25
X.XX ±0.13

STEPPERONLINE®

SPINDLE MOTOR

GDZL80x73-1.5B4

THIRD ANGLE PROJECTION



SIGNATURE		DATE
DRN	LDJ	11.7.2023
APVD	YSX	11.7.2023

REV.	0	SCALE	1:1	DWG NO.	A2497
------	---	-------	-----	---------	-------