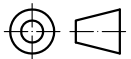
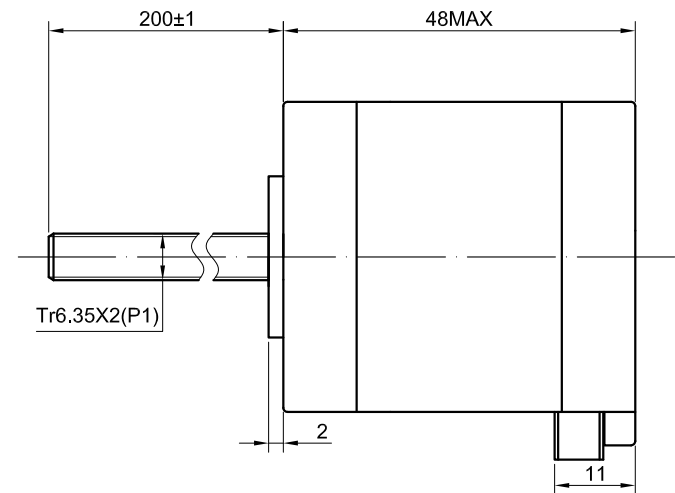
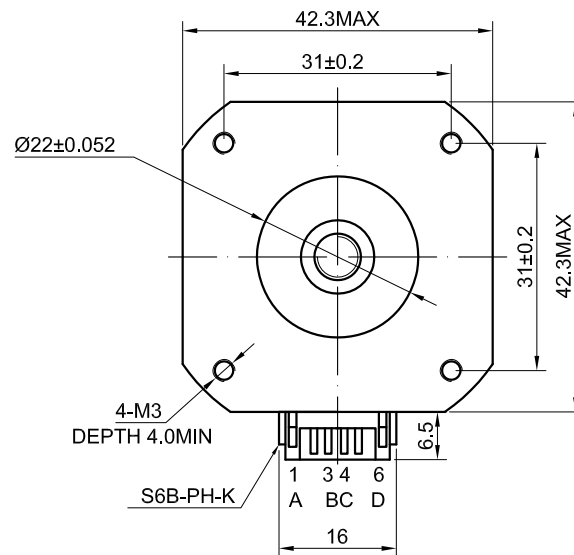
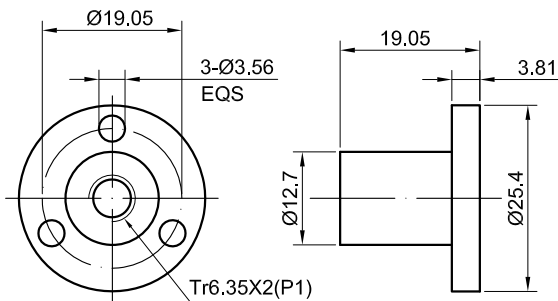


NUT MATERIAL: POM(BLACK)

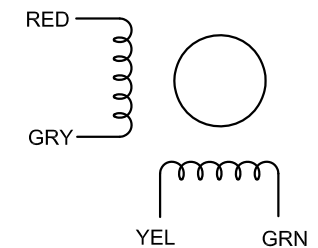


| SPECIFICATION | CONNECTION | BIPOLAR |
|--|------------|------------|
| AMPS/PHASE | | 1.68 |
| RESISTANCE/PHASE(Ohms)@25°C | | 1.65±10% |
| INDUCTANCE/PHASE(mH)@1KHz | | 2.80±20% |
| HOLDING TORQUE(Nm)[lb-in] | | 0.44[3.89] |
| LINEAR TRAVEL/STEP(mm) | | 0.01 |
| STEP ANGLE(°) | | 1.80 |
| STEP ACCURACY(NON-ACCUM) | | ±5.00% |
| ROTOR INERTIA(g-cm²) | | 82.00 |
| WEIGHT(Kg)[lb] | | — |
| TEMPERATURE RISE:MAX.80°C (MOTOR STANDSTILL;FOR 2PHASE ENERGIZED) | | |
| AMBIENT TEMPERATURE -10°C~50°C[14°F~122°F] | | |
| INSULATION RESISTANCE 100 Mohm (UNDER NORMAL TEMPERATURE AND HUMIDITY) | | |
| INSULATION CLASS B 130°C[266°F] | | |
| DIELECTRIC STRENGTH 500VAC FOR 1MIN.(BETWEEN THE MOTOR COILS AND THE MOTOR CASE) | | |

| TYPE OF CONNECTION (EXTERN) | | MOTOR | |
|-----------------------------|---------|-------|---------|
| PIN NO | BIPOLAR | LEADS | WINDING |
| 1 | A — | RED | A |
| 2 | C — | GRY | C |
| 3 | B — | YEL | B |
| 4 | D — | GRN | D |

FULL STEP 2 PHASE-Ex. ,
WHEN FACING MOUNTING END (X)

| STEP | A | B | C | D | | CCW |
|------|---|---|---|---|---|-----|
| 1 | + | + | - | - | ↓ | ↑ |
| 2 | - | + | + | - | | |
| 3 | - | - | + | + | | |
| 4 | + | - | - | + | | |



STEPPERONLINE®

| | | | |
|-------|-----------|--|------------|
| | APVD | | 10.19.2021 |
| | CHKD | | |
| 1:1 | DRN | | |
| SCALE | SIGNATURE | | DATE |

STEPPER MOTOR

17E19S1684AF-200RS
(17LS19-1684E-200D)