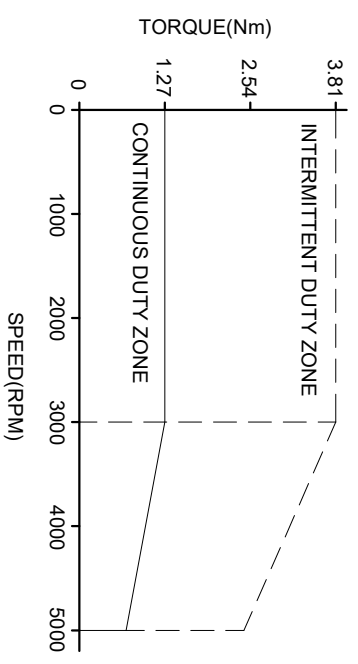
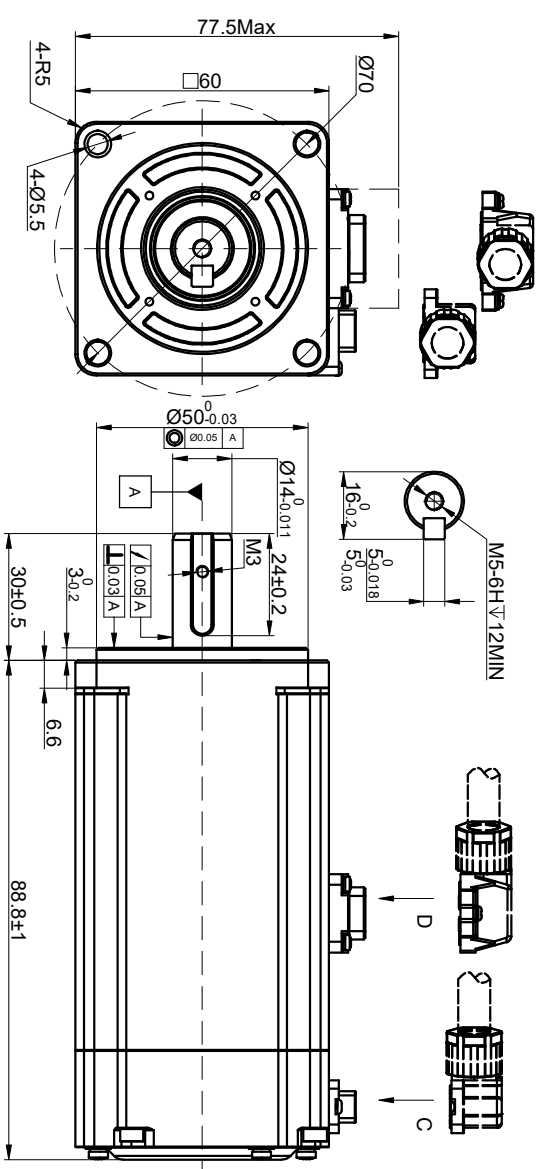


SPEED - TORQUE CURVE



SPECIFICATION	VALUE
RATED VOLTAGE(VAC)	220
RATED POWER(W)	400
RATED TORQUE(Nm)	1.27
PEAK TORQUE(Nm)	3.81
RATED SPEED(RPM)	3000
PEAK SPEED(RPM)	5000
RATED CURRENT(Amp)	2.1
PEAK CURRENT(Amp)	6.5
TORQUE CONST(Nm/Amp)	0.645
BACK EMF CONST(V/KRPM)	39
RESISTANCE(Ω)	5.7
INDUCTANCE(mH)	12
INERTIA(Kg*m <sup>2</sup> *10 <sup>-4</sup> )	0.56
POLES	10
ENCODER TYPE	23bit magnetic
IP RATING	IP67
WEIGHT(KG)	1.30



D		WIRING DETAILS OF POWER CABLE CONNECTOR						
PIN No.	DESCRIPTION	1	2	3	4	..	..	
1	U	W	V	PE	..	..	..	
4	BLU	WHT	RED	YEL/GRN	..	..	..	

C		WIRING DETAILS OF ENCODER CABLE CONNECTOR						
PIN No.	DESCRIPTION	1	2	3	4	5	6	7
1	SHIELD	RED	BLK	BLU	YEL	BRN	BAT+	BAT-
2	PE	5V	0V	SD+	SD-	BAT+	BAT-	WHT

THE PART NUMBER OF CABLE FOR T6M60-400H2A1-M23 MOTOR

POWER CABLE	CMST1M5-2	AWG 20
ENCODER CABLE	CEST1M5-2	AWG 25

APVD	ZPJ	11.1.2023	AC SERVO MOTOR
CHKD			
DRN	LDJ	11.1.2023	
SCALE	SIGNATURE	DATE	T6M60-400H2A1-M23