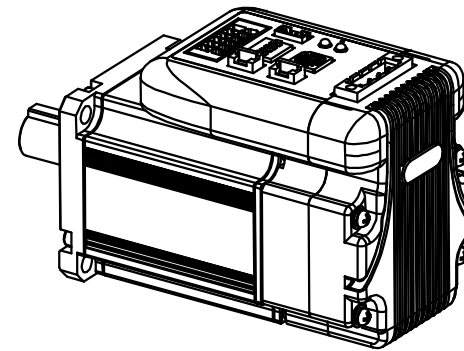
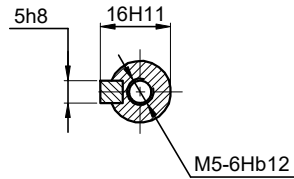
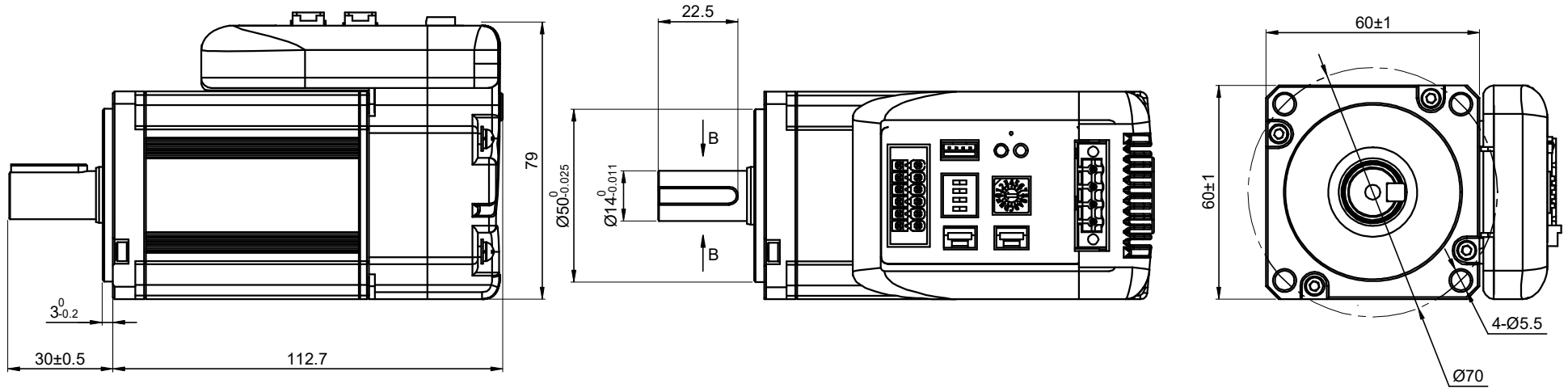


CUSTOMER'S MODEL: NO MODEL

REV.	REVISION RECORD	BY	DATE
0	ORIGIN	LDJ	9.25.2023



SPECIFICATION	VALUE
POWER (W)	400
RATED TORQUE (Nm)	1.27
PEAK TORQUE (Nm)	3.81
RATED SPEED (RPM)	3000
PEAK SPEED (RPM)	4000
RATED VOLTAGE (VDC)	48
INERTIA (kg.cm <sup>2</sup> )	0.58
INPUT VOLTAGE (V)	24~70
CONTINUOUS CURRENT (Arms)	10
PEAK CURRENT (A)	28
LOGIC SIGNAL CURRENT (mA)	10
ISOLATION RESISTANCE (M $\Omega$ )	100
PROTECTION LEVEL	IP54 FOR MOTOR/IP20 FOR DRIVE
WEIGHT (Kg) [lb]	1.25[2.76]

THIS DOCUMENT SHALL NOT BE REPRODUCED NOR SHALL THE INFORMATION CONTAINED HEREIN BE USED BY OR DISCLOSED TO OTHERS UNLESS EXPRESSLY AUTHORIZED IN BY WRITING STEPPERONLINE.

DIMENSIONS ARE IN MILLIMETERS.  
TOLERANCES AS BELOW:  
DECIMALS ANGLES  
X ±0.5 ±2°  
X.X ±0.25  
X.XX ±0.13

**STEPPERONLINE®**

SERVO MOTOR

iSV2-60TR-48V400A

THIRD ANGLE PROJECTION



SIGNATURE		DATE
DRN	LDJ	9.25.2023
APVD	YSX	9.25.2023

REV.	0	SCALE	1:2.5	DWG NO.	A2466
------	---	-------	-------	---------	-------