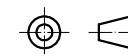
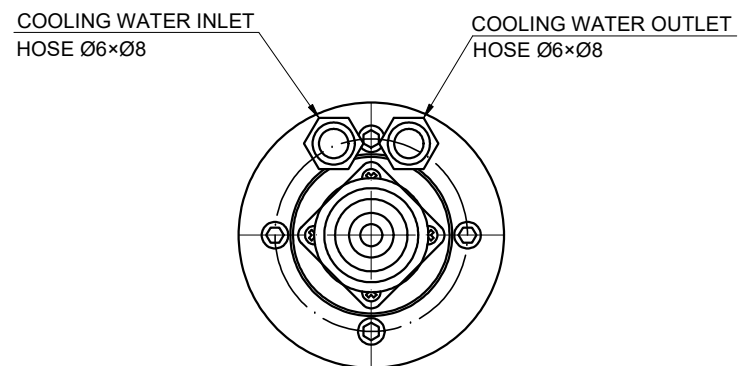


SPECIFICATION	VALUE
POWER (W)	800
VOLTAGE (VAC)	110
RATED CURRENT (A)	3.9
MAXIMUM SPEED (RPM)	24000
FREQUENCY (Hz)	400
NUT MODEL	ER11
COLLET (mm)	Ø3.175
RUNOUT OFF (mm)	LESS THAN 0.005
BEARINGS	2x7002C(P4 DT) + 2x7000C(P4 DT)
COOLING	WATER COOLED
MATERIAL	STAINLESS STEEL
LUBRICATION	GREASE
WEIGHT (Kg) [lb]	3 [6.61]

P VIEW



	mm	APVD	ZPJ	9.21.2023
	UNIT	CHKD		
	2:1	DRN	LDJ	9.21.2023
	SCALE	SIGNATURE		DATE

SPINDLE MOTOR
GDZ65-800A4