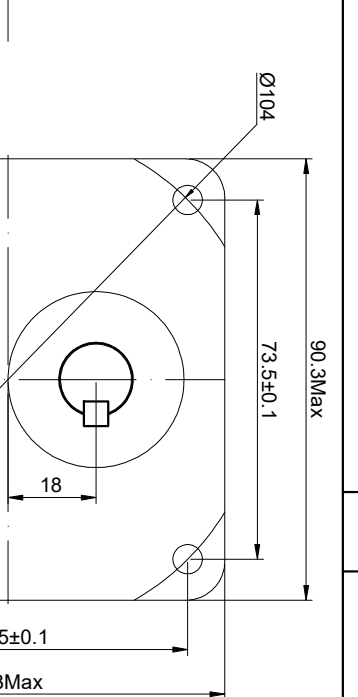
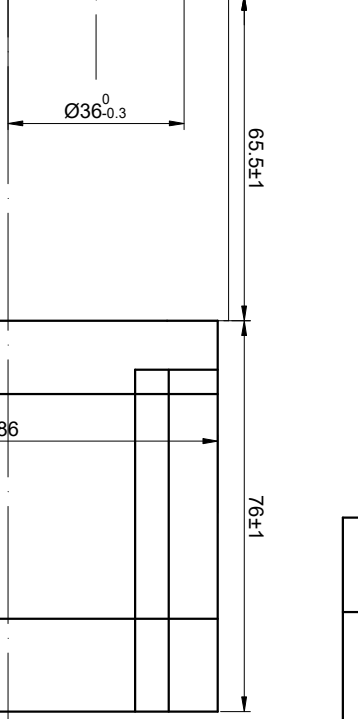
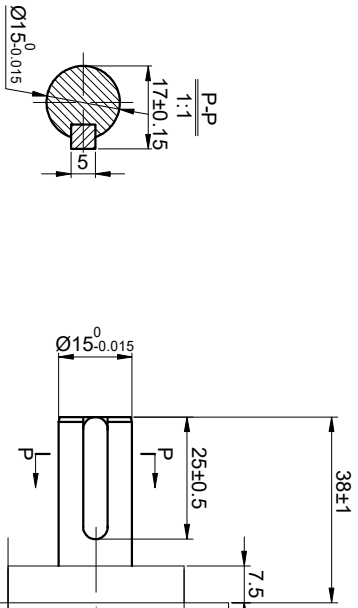


5322V ON GMD 09GS-SY099-06SSH4C ON TEGDM

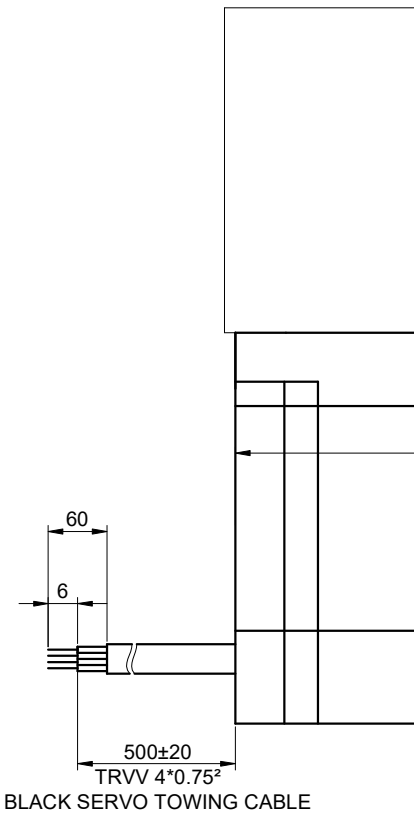
CUSTOMER'S MODEL: NO MODEL
END COVER COLOR: BLACK

REV.	REVISION RECORD	BY	DATE
0	ORIGIN	LDJ	7.18.2023



GEAR DECELERATION SPECIFICATION

THE GEAR RATIO	1:50
MAXIMUM INPUT SPEED(rpm)	1350
MAXIMUM OUTPUT SPEED(rpm)	50
MAX. PERMISSIBLE TORQUE(Nm)[lb-in]	10[88.50]
MOMENT PERMISSIBLE TORQUE(Nm)[lb-in]	20[177.01]
RETURN DIFFERENCE	≤3°
EFFICIENCY	73%
LUBRICATION	GREASE
SPECIFICATION CONNECTION	BIPOLAR
AMPS/PHASE	5.6
RESISTANCE/PHASE(Ohms)@25°C	0.35±10%
INDUCTANCE/PHASE(mH)@1KHz	2.80±20%
HOLDING TORQUE(Nm)[lb-in]	4.50[42.52]
STEP ANGLE(°)	1.80
STEP ACCURACY(NON-ACCUM)	±5.00%
ROTOR INERTIA(g-cm ²)	1400
WEIGHT(Kg)	4.0
AMBIENT TEMPERATURE	-10°C~50°C[14°F~122°F]
INSULATION CLASS	B 130°C[266°F]
TEMPERATURE RISE	MAX. 80°C



STEP	A+	B+	A-	B-	CCW	CW
1	+	+	-	-	←	→
2	-	+	+	-	←	→
3	-	-	+	+	←	→
4	+	-	-	+	←	→

SIGNATURE	DATE
DRN LDJ	7.18.2023
APVD YSX	7.18.2023

PIN NO	BIPOLAR	LEADS	WINDING
1	A+	BLK	A+
2	A-	GRN	A-
3	B+	RED	B+
4	B-	BLU	B-

STEPPERONLINE®

STEPPER MOTOR

34HS30-5604S-SG50

REV.	SCALE	DWG. NO.
0	2:3	A2335

FULL STEP 2 PHASE-EX. WHEN FACING MOUNTING END (X)
THIS DOCUMENT SHALL NOT BE REPRODUCED
NOR SHALL THE INFORMATION CONTAINED
HEREIN BE USED BY OR DISCLOSED TO
OTHERS UNLESS EXPRESSLY AUTHORIZED IN
BY WRITING STEPPERONLINE.

DIMENSIONS ARE IN MILLIMETERS.
TOLERANCES AS BELOW:
DECIMALS ANGLES
X ±0.5 ±2°
X X ±0.25
X.XX ±0.13
THIRD ANGLE PROJECTION