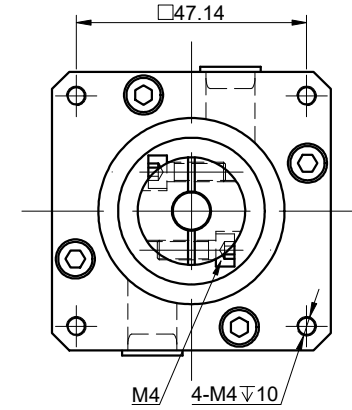
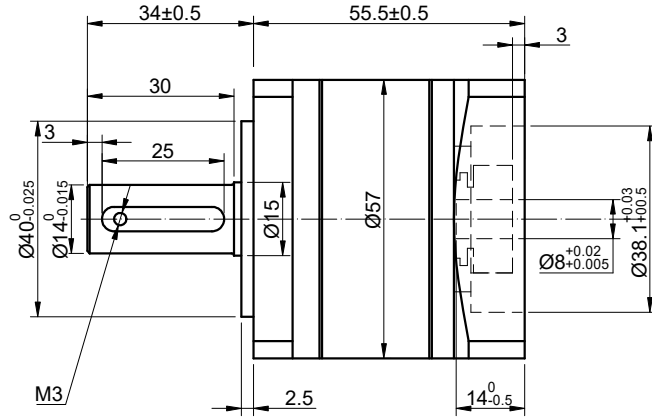
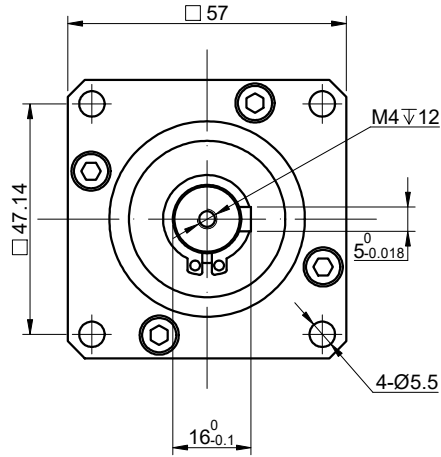


REV.	REVISION RECORD	BY	DATE
0	ORIGIN	LDJ	7.28.2023



SPECIFICATION	CONNECTION	VALUE
GEAR RATIO		5
EFFICIENCY		90%
BACKLASH@NO-LOAD(arcmin)		<=30
MAX.PERMISSIBLE TORQUE(Nm)[lb-in]		25.00[88.51]
MOMENT PERMISSIBLE TORQUE(Nm)[lb-in]		50.00[177.01]
SHAFT MAXIMUM AXIAL LOAD(N)		200
SHAFT MAXIMUM RADIAL LOAD(N)		400
GEARBOX MATCHING MOTOR'S INPUT SHAFT LENGTH (mm)		14MAX
RATED INPUT SPEED(RPM)		1000
MAX. INPUT SPEED(RPM)		2000
NOISE(dB)		<=55
WATERPROOF RATING		IP54
LIFE(h)		20000
WORKING TEMPERATURE		-20°C~150°C[-4°F~302°F]

DIMENSIONS ARE IN MILLIMETERS.
 TOLERANCES AS BELOW:
 DECIMALS ANGLES
 X ±0.5 ±2°
 X.X ±0.25
 X.XX ±0.13

STEPPERONLINE®

PLANETARY GEARBOX

MG23-G5-D8

THIRD ANGLE PROJECTION	SIGNATURE	DATE
	DRN LDJ	7.28.2023
	APVD ZPJ	7.28.2023

REV.	0	SCALE	1:1	DWG NO.	A2359
------	---	-------	-----	---------	-------