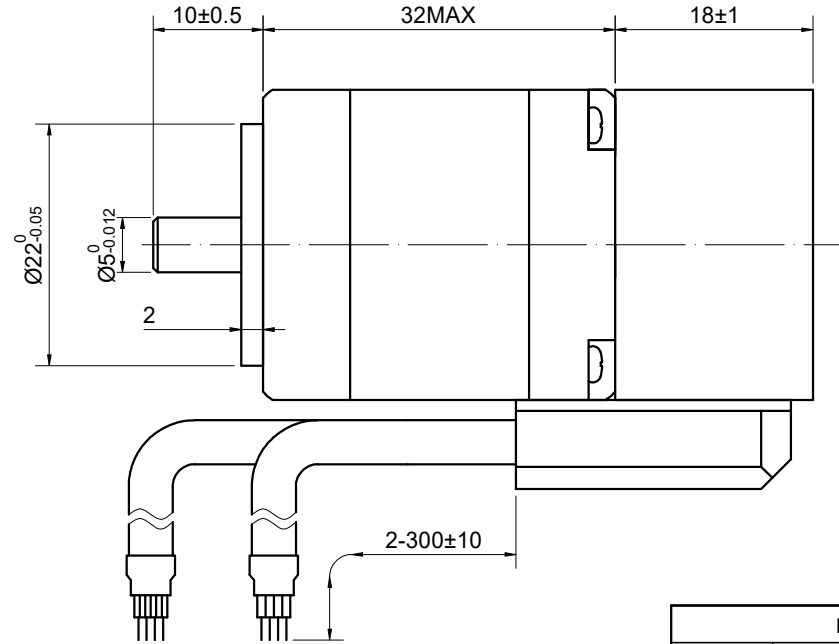
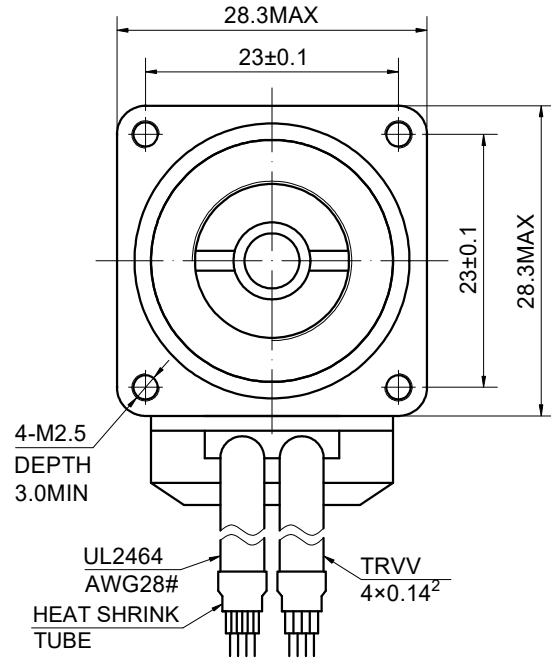


CUSTOMER'S MODEL: NO MODEL
END COVER COLOR: BLACK

REV.	REVISION RECORD	BY	DATE
0	ORIGIN	YSX	6.20.2023



MOTOR CONNECTION			
PIN NO	BIPOLAR	LEADS	WINDING
1	A+	BLK	
2	A-	GRN	
3	B+	RED	
4	B-	BLU	

ENCODER RESOLUTION:1000PPR(4000CPR)								
LEAD COLOR	WHT	RED	BLK	ORG	GRY	YEL	GRN	BLU
DESCRIPTION	EA+	VCC	GND	EB+	EB-	EA-	EZ+	EZ-

CONNECTION	BIPOLAR
SPECIFICATION	
AMPS/PHASE	1.00
RESISTANCE/PHASE(Ohms)@25°C	2.00±10%
INDUCTANCE/PHASE(mH)@1KHz	1.50±20%
HOLDING TORQUE(Nm)[lb-in]	0.06[0.53]
STEP ANGLE(°)	1.80
STEP ACCURACY(NON-ACCUM)	±5.00%
ROTOR INERTIA(g-cm²)	9.00
WEIGHT(Kg)[lb]	0.12[0.26]
AMBIENT TEMPERATURE	-10°C~50°C[14°F~122°F]
INSULATION CLASS	B 130°C[266°F]
TEMPERATURE RISE	MAX.80°C

COMMENT:
 1.DYNAMIC AXIAL LOAD: 10N MAX
 2.DYNAMIC RADIAL LOAD @ SHAFT LENGTH 20mm: 21N MAX
 3.TMBF 6000h OR MORE @ 24V/300RPM
 4.INSULATION RESISTANCE (NORMAL TEMPERATURE AND HUMIDITY): 100 Mohm
 5.DIELECTRIC STRENGTH 500VAC FOR 1MIN.(BETWEEN THE MOTOR COILS AND THE MOTOR CASE)

FULL STEP 2 PHASE-Ex.,WHEN FACING MOUNTING END (X)					CCW	CW	DIMENSIONS ARE IN MILLIMETERS. TOLERANCES AS BELOW: DECIMALS ANGLES X ±0.5 ±2° X.X ±0.25 X.XX ±0.13
STEP	A+	B+	A-	B-			
1	+	+	-	-			
2	-	+	+	-			
3	-	-	+	+			
4	+	-	-	+			

THIS DOCUMENT SHALL NOT BE REPRODUCED NOR SHALL THE INFORMATION CONTAINED HEREIN BE USED BY OR DISCLOSED TO OTHERS UNLESS EXPRESSLY AUTHORIZED IN BY WRITING STEPPERONLINE.

SIGNATURE		DATE
DRN	YSX	6.20.2023
APVD	LDJ	6.20.2023

STEPPERONLINE®

STEPPER MOTOR

11HS12-1004D-E1000-EGS

REV.	0	SCALE	3: 2	DWG NO.	A2268
------	---	-------	------	---------	-------