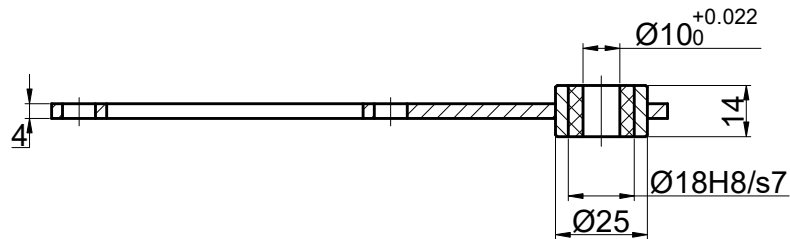
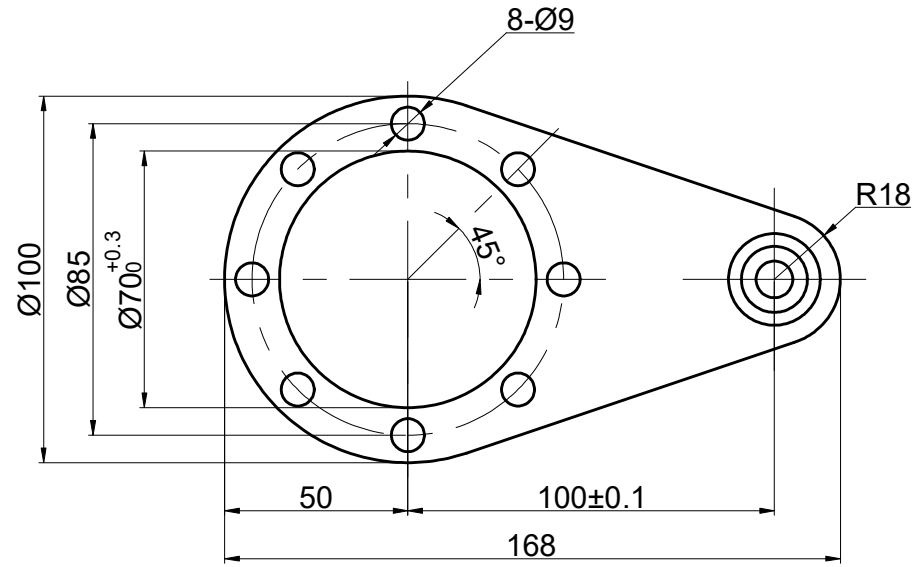


REV.	REVISION RECORD	BY	DATE
0	ORIGIN	YSX	7.17.2023



STEPPERONLINE®

TORQUE ARM

RV50-TA

DIMENSIONS ARE IN MILLIMETERS TOLERANCES AS BELOW:
 DECIMALS: X ±0.5
 X.X ±0.25
 X.XX ±0.13
 ANGLES ±2°

THIS DOCUMENT SHALL NOT BE REPRODUCED NOR SHALL THE INFORMATION CONTAINED HEREIN BE USED BY OR DISCLOSED TO OTHERS UNLESS EXPRESSLY AUTHORIZED IN BY WRITING STEPPERONLINE.

SIGNATURE		DATE
DRN	YSX	7.17.2023
APVD	ZPJ	7.17.2023

REV.	0	SCALE	1:1	DWG NO.	A2324
------	---	-------	-----	---------	-------

THIRD ANGLE PROJECTION

