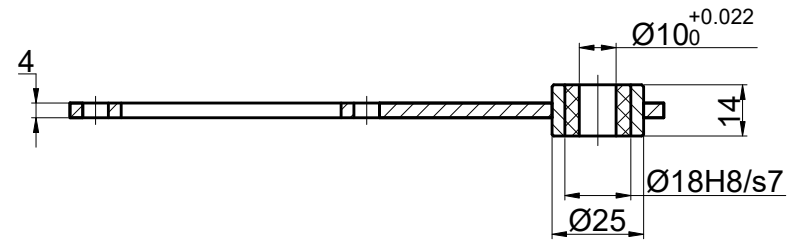
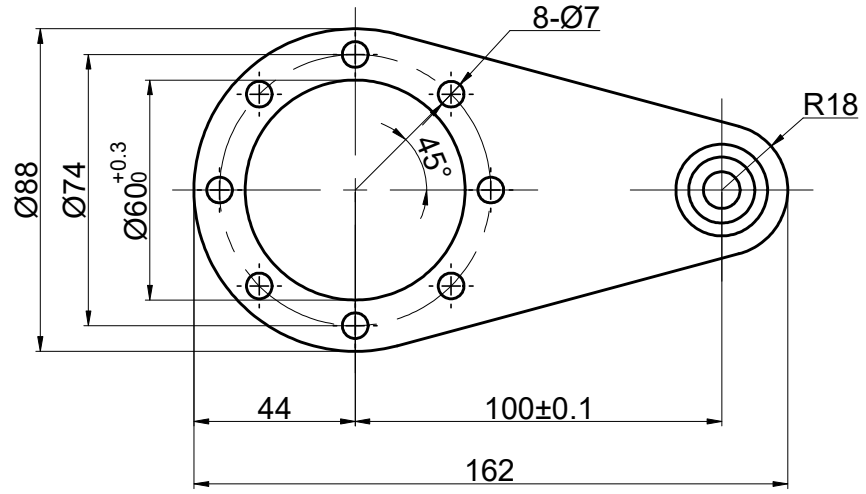


REV.	REVISION RECORD	BY	DATE
0	ORIGIN	YSX	7.17.2023



STEPPERONLINE®

TORQUE ARM

DIMENSIONS ARE IN MILLIMETERS TOLERANCES AS BELOW:		THIS DOCUMENT SHALL NOT BE REPRODUCED NOR SHALL THE INFORMATION CONTAINED HEREIN BE USED BY OR DISCLOSED TO OTHERS UNLESS EXPRESSLY AUTHORIZED IN BY WRITING STEPPERONLINE.	SIGNATURE		DATE
DECIMALS: X	±0.5		DRN	YSX	7.17.2023
X.X	±0.25		APVD	LDJ	7.17.2023
X.XX	±0.13	ANGLE: ±2°		THIRD ANGLE PROJECTION	

RV40-TA					
REV.	0	SCALE	1:1	DWG NO.	A2323