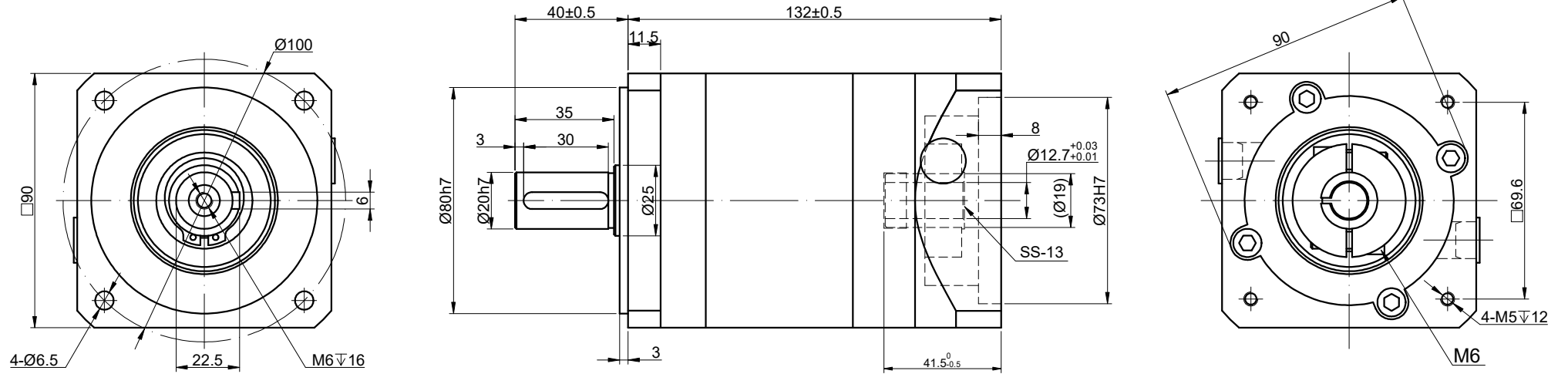


REV.	REVISION RECORD	BY	DATE
0	ORIGIN	HW	3.11.2024



NOTE: BY DEFAULT, GEAR BOX COMES WITH SS-13 SHAFT SLEEVE.

SPECIFICATION	CONNECTION	VALUE
GEAR RATIO		50
EFFICIENCY		94%
BACKLASH@NO-LOAD(arcmin)		<=20
MAX.PERMISSIBLE TORQUE(Nm)[lb-in]		100.00[885.07]
MOMENT PERMISSIBLE TORQUE(Nm)[lb-in]		200.00[1770.15]
SHAFT MAXIMUM AXIAL LOAD(N)		800
SHAFT MAXIMUM RADIAL LOAD(N)		1000
GEARBOX MATCHING MOTOR'S INPUT SHAFT LENGTH (mm)		22-41
RATED INPUT SPEED(RPM)		3000
MAX. INPUT SPEED(RPM)		6000
NOISE(dB)		<=65
WATERPROOF RATING		IP54
LIFE(h)		20000
WORKING TEMPERATURE		-20°C~150°C[-4°F~302°F]

DIMENSIONS ARE IN MILLIMETERS.  
TOLERANCES AS BELOW:  
DECIMALS ANGLES  
X ±0.5 ±2°  
X.X ±0.25  
X.XX ±0.13

THIRD ANGLE PROJECTION	
SIGNATURE	DATE
DRN	HW
APVD	LDJ

**STEPPERONLINE®**

**PLANETARY GEARBOX**

**EG34-G50-D13**

REV.	0	SCALE	1:2	DWG NO.	A2310
------	---	-------	-----	---------	-------