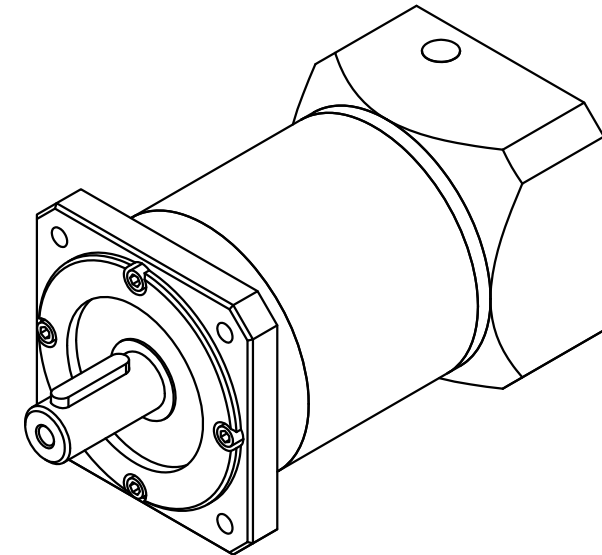


SPECIFICATION	CONNECTION	VALUE
GEAR RATIO		100
EFFICIENCY		90.00%
BACKLASH@NO-LOAD(arcmin)		<=20
MAX.PERMISSIBLE TORQUE(Nm)[lb-in]		260.00[2301.19]
MOMENT PERMISSIBLE TORQUE(Nm)[lb-in]		520.00[4602.39]
SHAFT MAXIMUM AXIAL LOAD(N)		1500
SHAFT MAXIMUM RADIAL LOAD(N)		2100
GEARBOX MATCHING MOTOR'S INPUT SHAFT LENGTH (mm)		40~60
RATED INPUT SPEED(RPM)		3000
MAX. INPUT SPEED(RPM)		4500
NOISE(dB)		<=70
WATERPROOF RATING		IP54
LIFE(h)		20000
WORKING TEMPERATURE		-20°C~150°C[-4°F~302°F]



STEPPERONLINE®

	APVD		4.3.2023
	CHKD		
1:2	DRN		
SCALE	SIGNATURE		DATE

PLANETARY GEARBOX

EG42-G100