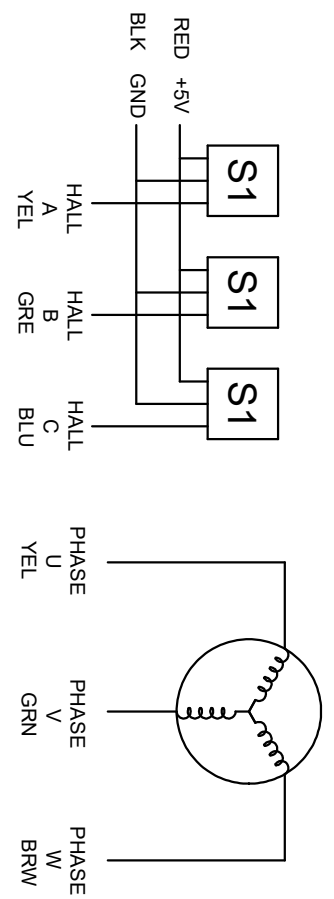


SPECIFICATION	VALUE
NO. of PHASES	3
NO. of POLES	4
RATED VOLTAGE(V)	24
RATED CURRENT(A)	4.1
RATED TORQUE(mN.m)	160
RATED POWER(W)	67
RATED SPEED(RPM)	4000±10%
NO-LOAD SPEED(RPM)	5100±10%
LINE-1INE RESISTANCE(Ohms)	0.60±10%
LINE-1INE INDUCTANCE(mH)	1.40±20%
BACK EMF(RMS)	3.4±5%/Krpm
INSULATION CLASS	CLASS B
INSULATION RESISTANCE	≥50MΩ MIN @ 600VDC
WEIGHT	0.45KG



HALL LEAD: UL 1007 24AWG

PHASE LEAD: UL3266 22AWG

STEPPERONLINE®

APVD	5.10.2023
CHKD	
DRN	
SIGNATURE	
SCALE	1:1
DATE	

BRUSHLESS DC MOTOR

57BL Y54-24-01