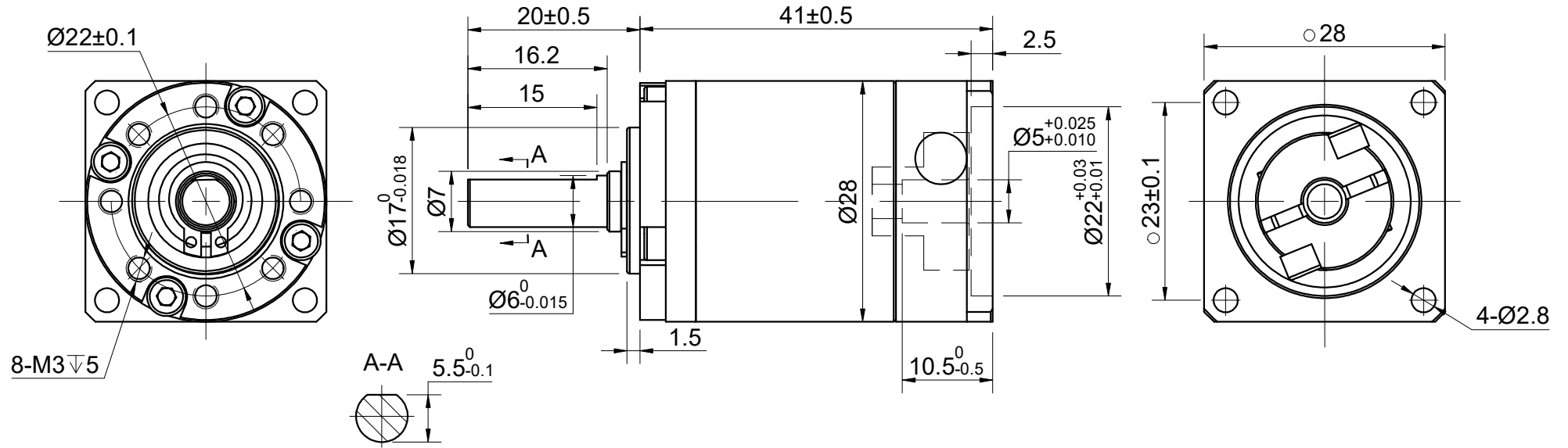


REV.	REVISION RECORD	BY	DATE
0	ORIGIN	HW	3.7.2024



SPECIFICATION	CONNECTION	VALUE
GEAR RATIO		50
EFFICIENCY		94%
BACKLASH@NO-LOAD(arcmin)		$\leq 20$
MAX.PERMISSIBLE TORQUE(Nm)[lb-in]		3.00[26.55]
MOMENT PERMISSIBLE TORQUE(Nm)[lb-in]		6.00[53.10]
SHAFT MAXIMUM AXIAL LOAD(N)		100
SHAFT MAXIMUM RADIAL LOAD(N)		300
GEARBOX MATCHING MOTOR'S INPUT SHAFT LENGTH (mm)		6.5-10.5
RATED INPUT SPEED(RPM)		3000
MAX. INPUT SPEED(RPM)		6000
NOISE(dB)		$\leq 65$
WATERPROOF RATING		IP54
LIFE(h)		20000
WORKING TEMPERATURE		$-20^{\circ}\text{C} \sim 150^{\circ}\text{C} [-4^{\circ}\text{F} \sim 302^{\circ}\text{F}]$

DIMENSIONS ARE IN MILLIMETERS.  
TOLERANCES AS BELOW:  
DECIMALS ANGLES  
X  $\pm 0.5$   $\pm 2^{\circ}$   
X.X  $\pm 0.25$   
X.XX  $\pm 0.13$

**STEPPERONLINE®**

**PLANETARY GEARBOX**

**EGS11-G50**

THIRD ANGLE PROJECTION	
SIGNATURE	DATE
DRN	HW
APVD	LDJ
3.7.2024	3.11.2024

REV.	0	SCALE	2:3	DWG NO.	A1806
------	---	-------	-----	---------	-------