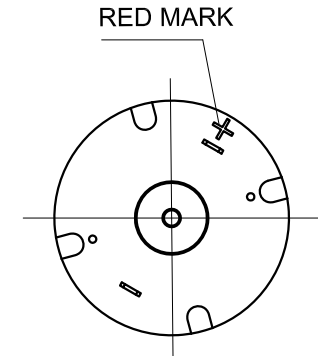
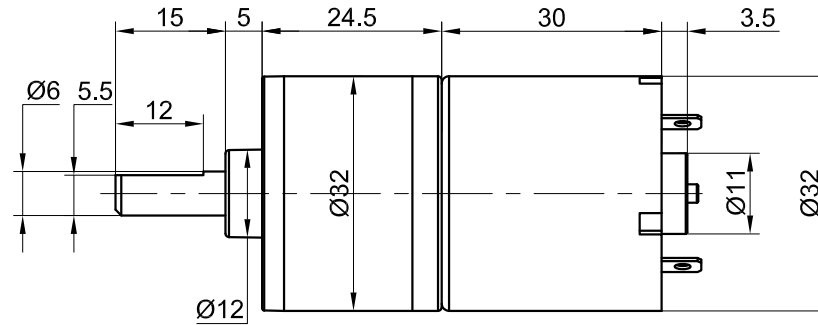


P.C.D Ø26  
6-M3 depth 7mm MAX.



SPECIFICATION	CONNECTION	VALUE	NOTES:  1.PLEASE CONDUCT THE WELDING WORK IN A SHORT TIME.(RECOMMENDATION:WITH THE SOLDERING IRON TIP AT A TEMPERATURE OF 340~400℃, WITHIN 2 SECONDS.  2.PREVENT GEAR MOTOR FROM BEING SHOCKED OR DROPPING IN MOUNTING PROCESS.IT IS PROHIBITED TO STRIKE AND CRUSH DIRECTLY ON REDUCER OUTPUT SHAFT.  3.INSTALL THE SCREWS AFTER FIRST CHECKING THE TAPS AND TAP DEPTH AGAINST THE DIMENSIONS ENTERED ON THE EXTERIOR DRAWING.  4.IT IS NECESSARY TO BE CAREFUL THAT THE ADHESIVE DOES NOT SPREAD ALONG THE SHAFT AND FLOW INTO THE BEARING.  5.DO NOT TURN A GEARED MOTOR BY ITS OUTPUT SHAFT WHEN,FOR EXAMPLE,ARRANGING ITS POSITION SO AS TO INSTALL IT.
RATED VOLTAGE(V);		12	
NO LOAD CURRENT(mA);		≤200	
NO LOAD SPEED(RPM);		98±10	
RATED LOAD TORQUE(kgf.cm);		3.5	
RATED CURRENT(mA);		≤600	
RATED LOAD SPEED(RPM);		80±8	
STALL CURRENT(mA);		—	
STALL TORQUE(kgf.cm);		—	
ROTATION DIRECTION		CW/CCW	

**STEPPERONLINE®**

	APVD	8.24.2022
	CHKD	
1:1	DRN	
SCALE	SIGNATURE	DATE

**DC GEARBOX MOTOR**

**SGF32-32127000-G72**