

User Manual for EV200 series Variable Frequency Drive

1. Outside

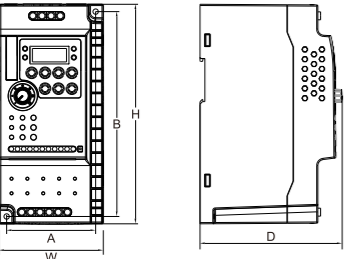
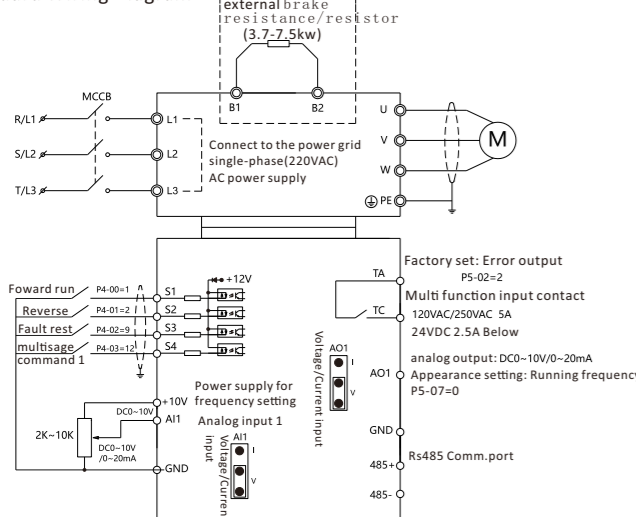


Table with columns: Voltage, Model type, Power(kw), Install size(mm) (A, B, W, H, D), Install hole. Lists models like EV200-0400G-S2, EV200-0750G-S2, etc.

2. Standard Wiring Diagram



Wiring instructions

Table mapping terminal symbols (E, L1, L2, L3, U, V, W, B1, B2) to their function descriptions (Grounding terminal, AC power supply, AC motor, etc.).

3. Technical specifications

Table with columns: Item, Specification. Lists highest frequency, carrier frequency, input frequency resolution, start torque, speed range, etc.

4. Function Parameters Table

When PP-00 is set as a non-zero value, that is, the parameter protection password is set. In the function parameter... it is possible to modify the parameter when the drive in the stop or in the run status; ...the parameter is the actual measured value and can not be modified.

Main parameter table with columns: Function Code, Name, Setting Range, Default, Modify. Includes P0 Group (Basic Function), P2 Group (Vector Control Parameters), P3 Group (V/F Control Parameters), P1 Group (Motor 1 Parameters), and P4 Group (Input Terminals).

Continuation of the main parameter table, covering P3-00 to P3-22 (V/F curve settings), P3-03 to P3-11 (Torque boost), P3-13 to P3-22 (V/F separation), P3-15 to P3-22 (V/F separation), and P3-17 to P3-22 (Stop mode selection).

Continuation of the main parameter table, covering P3-23 to P3-26 (Voltage limit selection), P4 Group (Input Terminals), P4-00 to P4-09 (S1-S4 filter time, terminal control mode, etc.), P4-10 to P4-38 (AI curve, pulse min. input, etc.).

Continuation of the main parameter table, covering P5 Group (Output Terminals), P5-02 (Relay 1 function selection), P5-07 (A01 Output function selection), P5-10 to P5-11 (A01 Zero bias coefficient, A01 gain), P6 Group (Start/Stop Control), P6-00 to P6-21 (Start mode, mode of catching a spinning motor, etc.), P7 Group (Keypad Operation and LED Display), P7-02 (STOP/RESET key function), P7-03 (LED display running parameters 1), P7-04 (LED display running parameters 2).

