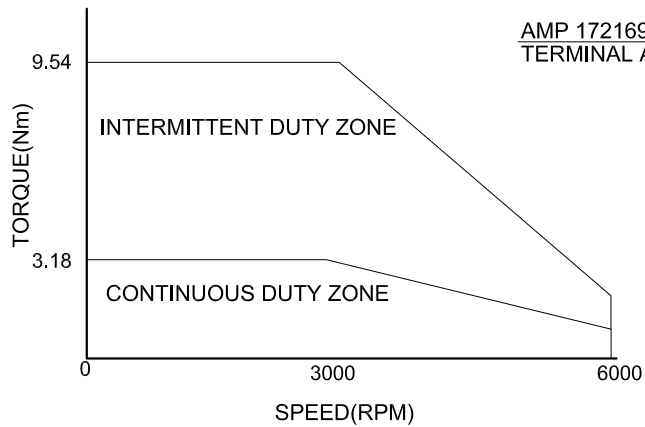


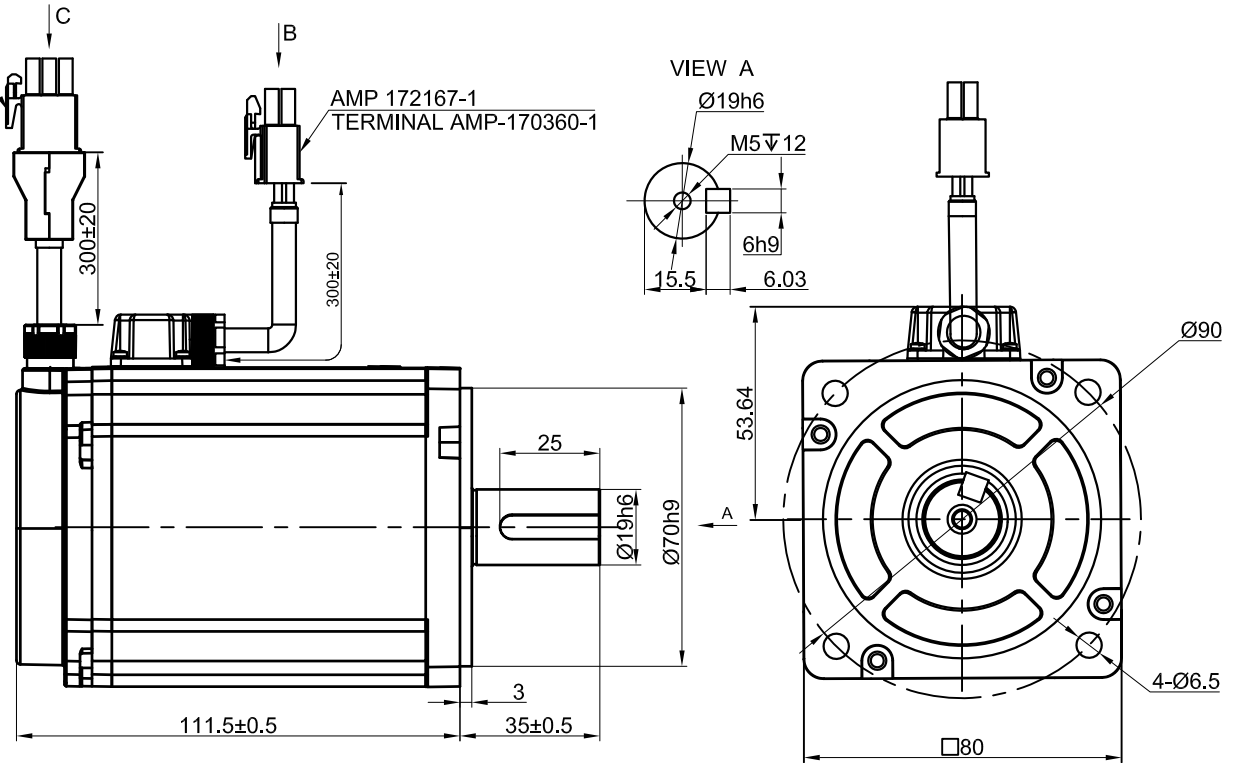
SPEED - TORQUE CURVE



AMP 172169-1  
TERMINAL AMP-170360-1

AMP 172167-1  
TERMINAL AMP-170360-1

VIEW A



SPECIFICATION	VALUE
RATED VOLTAGE(VAC)	220
LINE COUNTER POTENTIAL(V/1000r/min)	36
RATED POWER(W)	1000
RATED TORQUE(Nm)	3.18
PEAK TORQUE(Nm)	9.54
RATED SPEED(RPM)	3000
PEAK SPEED(RPM)	6000
RATED CURRENT(Amp)	5.7
PEAK CURRENT(Amp)	17.1
NUMBER OF STATOR SLOTS(S)	12
INSULATION CLASS	F
RESISTANCE( $\Omega$ )	1.1
INDUCTANCE(mH)	0.64
INERTIA(Kg·m <sup>2</sup> ·10 <sup>-4</sup> )	2
POLES	5
ENCODER TYPE	17bit inc
IP RATING	IP65

WIRING DETAILS OF POWER CABLE CONNECTOR					
<p>VIEW B</p>	PIN No.	1	2	3	4
	DESCRIPTION	U	V	W	PE
	COLOR	RED	WHT	BLK	YEL/GRE

WIRING DETAILS OF ENCODER CABLE CONNECTOR										
<p>VIEW C</p>	PIN No.	1	2	3	4	5	6	7	8	9
	DESCRIPTION	FG	+5V	0V	—	—	—	SD+	—	SD-
	COLOR	SHIELD	RED	BLK	—	—	—	BLU	—	YEL

**STEPPERONLINE**®

	APVD		1.11.2023
	CHKD		
2:1	DRN		
SCALE	SIGNATURE		DATE

AC SERVO MOTOR

E6M80-1000H2A2-M17S