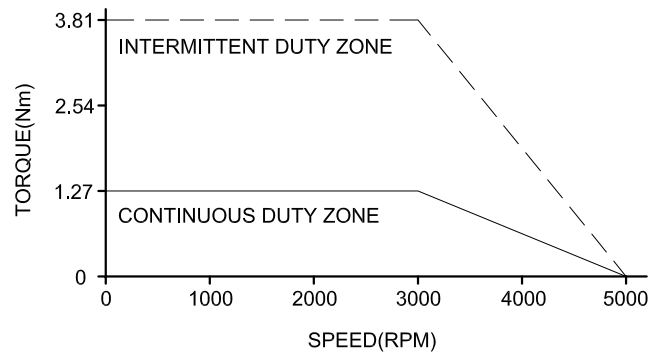
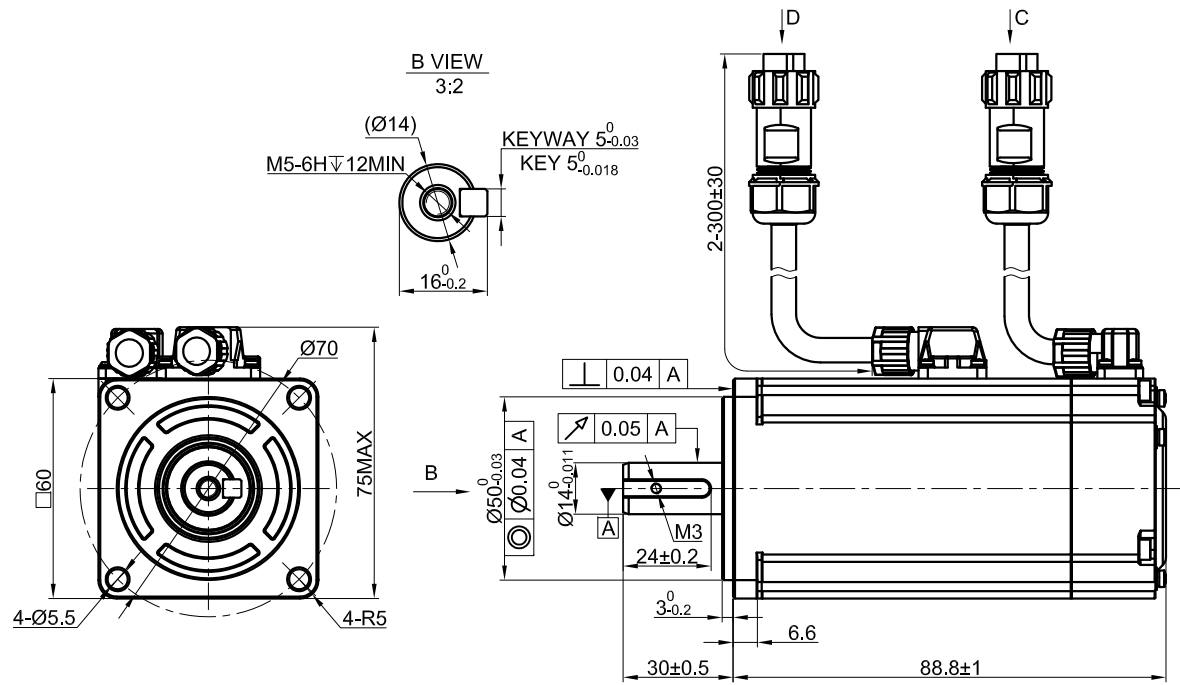


SPEED - TORQUE CURVE



| SPECIFICATION | VALUE |
|---|-----------|
| RATED VOLTAGE(VAC) | 220 |
| RATED POWER(W) | 400 |
| RATED TORQUE(Nm) | 1.27 |
| PEAK TORQUE(Nm) | 3.81 |
| RATED SPEED(RPM) | 3000 |
| PEAK SPEED(RPM) | 5000 |
| RATED CURRENT(Amp) | 2.1 |
| PEAK CURRENT(Amp) | 6.5 |
| TORQUE CONST(Nm/Amp) | 0.645 |
| BACK EMF CONST(V/KRPM) | 39 |
| RESISTANCE(Ω) | 5.7 |
| INDUCTANCE(mH) | 12 |
| INERTIA(Kg•m ² •10 ⁻⁴) | 0.56 |
| POLES | 10 |
| ENCODER TYPE | 17bit inc |
| IP RATING | IP65 |
| WEIGHT(KG) | 1.3 |



| D | WIRING DETAILS OF POWER CABLE CONNECTOR | | | | | | |
|---|---|---------|-----|-----|---------|---|---|
| | | PIN No. | 1 | 2 | 3 | 4 | — |
| | DESCRIPTION | U | W | V | PE | — | — |
| | COLOR | BLU | RED | BLK | YEL/GRE | — | — |

| C | WIRING DETAILS OF ENCODER CABLE CONNECTOR | | | | | | | |
|---|---|---------|-----|-----|-----|-----|---|---|
| | | PIN No. | 1 | 2 | 3 | 4 | 5 | 6 |
| | DESCRIPTION | PE | 5V | 0V | SD+ | SD- | — | — |
| | COLOR | SHIELD | WHT | BLK | BLU | PUL | — | — |

| THE PART NUMBER OF CABLE FOR T6M60-400H2A3-M17S MOTOR | | |
|---|---------|--------|
| POWER CABLE | CMST1M5 | AWG 18 |
| ENCODER CABLE | CEST1M5 | AWG 26 |



| | | | |
|-------|-----------|--|----------|
| | APVD | | 4.7.2023 |
| | CHKD | | |
| 2:1 | DRN | | |
| SCALE | SIGNATURE | | DATE |

AC SERVO MOTOR
T6M60-400H2A3-M17S