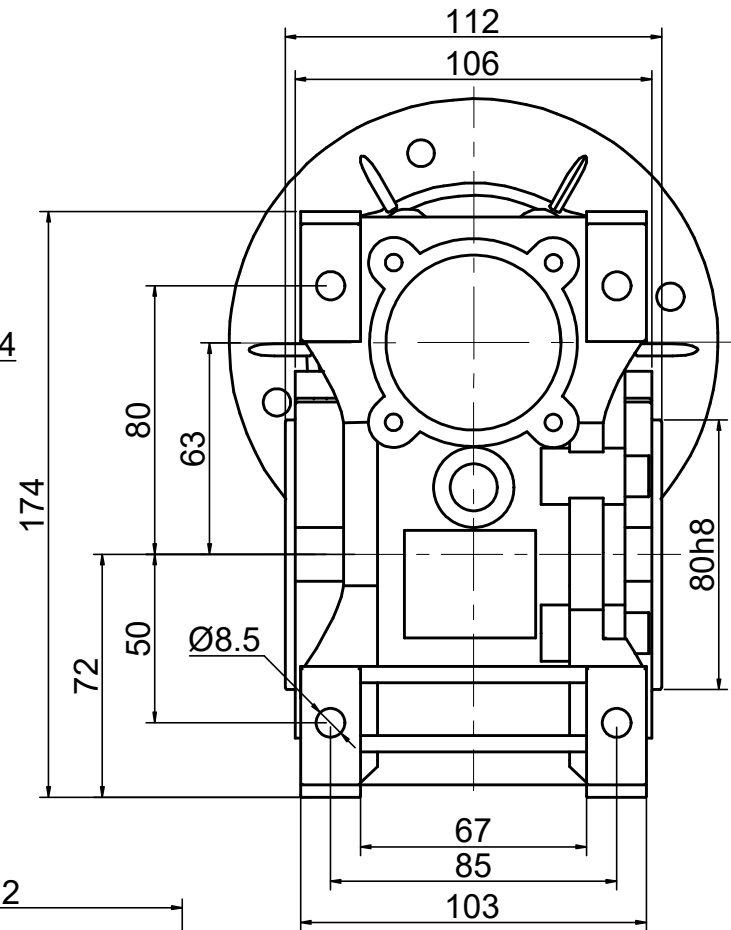
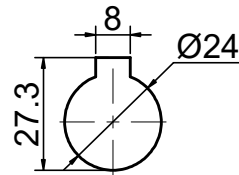
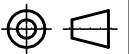
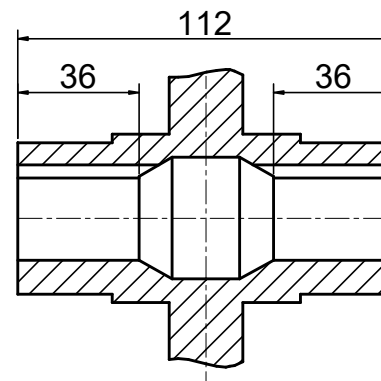
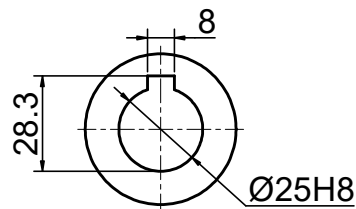


INPUT



OUTPUT



**STEPPERONLINE®**

	APVD	LDJ	1.23.2024
	CHKD		
2:3	DRN	HW	1.22.2024
SCALE	SIGNATURE		DATE

**WORM GEAR SPEED REDUCER**

**MRVR063JB3-G15-D24**