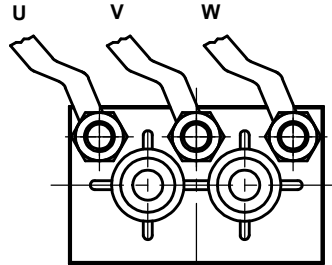
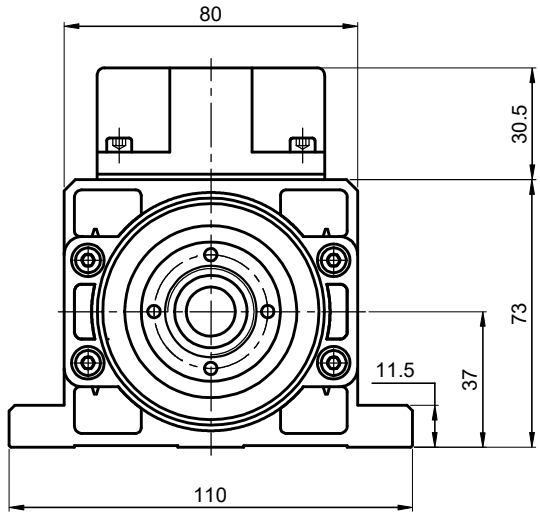
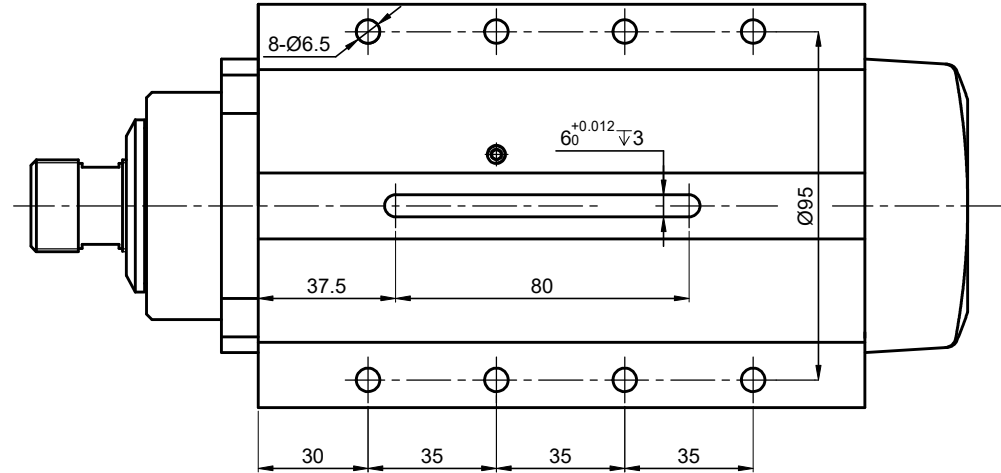
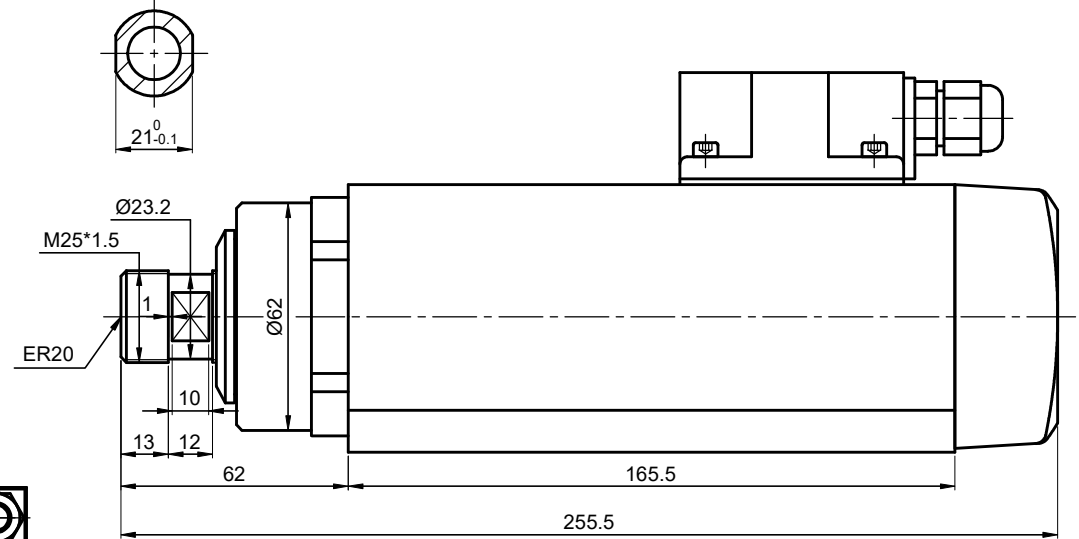


CUSTOMER'S MODEL: NO MODEL

REV.	REVISION RECORD	BY	DATE
0	ORIGIN	LDJ	10.25.2023



220V THREE WIRE CONNECTION



SPECIFICATION	VALUE
RATED TORQUE(Nm)[lb-in]	0.87[7.70]
POWER (Kw)	2.2
VOLTAGE (VAC)	220
RATED CURRENT (A)	6.00
MAXIMUM SPEED (RPM)	24000
FREQUENCY (Hz)	400
NUT MODEL	ER20
RUNOUT OFF (mm)	LESS THAN 0.005
BEARINGS	4
COOLING	AIR COOLED
MATERIAL	STAINLESS STEEL
EFFICIENCY	<0.01mm
WEIGHT (Kg) [lb]	5.5[12.13]

THIS DOCUMENT SHALL NOT BE REPRODUCED NOR SHALL THE INFORMATION CONTAINED HEREIN BE USED BY OR DISCLOSED TO OTHERS UNLESS EXPRESSLY AUTHORIZED IN BY WRITING STEPPERONLINE.

THIRD ANGLE PROJECTION



DIMENSIONS ARE IN MILLIMETERS.
TOLERANCES AS BELOW:
DECIMALS ANGLES
X ±0.5 ±2°
X.X ±0.25
X.XX ±0.13

SIGNATURE		DATE
DRN	LDJ	11.7.2023
APVD	YSX	11.7.2023

STEPPERONLINE®

SPINDLE MOTOR

GDZL80x73-2.2B4

REV.	0	SCALE	1:1	DWG NO.	A2498
------	---	-------	-----	---------	-------