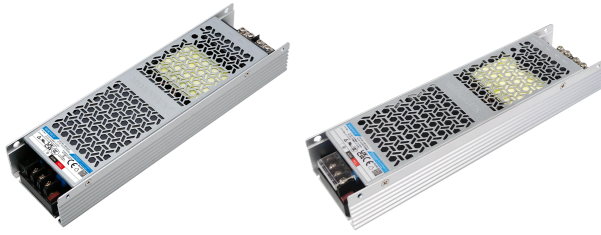


AC/DC 350W Enclosed Switching Power Supply

LMF350-23BxxUH, LMF350-23BxxUH-C, LMF350-23BxxUH-YW Series

MORNSUN®



FEATURES

- Universal 85 - 305VAC or 120 - 430VDC Input voltage
- Accepts AC or DC input (dual-use of same terminal)
- Semi-potted process, fanless design
- Operating ambient temperature range: -40°C to +85°C
- High efficiency, active PFC
- 150% peak load output for 1 second
- High I/O isolation test voltage up to 4000VAC
- Output short circuit, over-current, over-voltage, over-temperature protection
- Operating altitude up to 5000m
- Safety according to EN61558, EN60335
- 3 years warranty



LMF350-23BxxUH series is one of Mornsun's enclosed fanless semi-potted ultra narrow AC-DC switching power supply, it is suitable for industrial and outdoor occasions where the application environment is relatively harsh. It features 305VAC operating conditions, universal AC input and at the same time accepts DC input voltage, cost-effective, high PF value, high efficiency, high reliability, 150% peak load output and operating altitude up to 5000m. These converters offer excellent EMC performance and meet EN/UL/BS EN62368, EN60335, EN61558, GB4943 standards and they are widely used in areas of industrial, lighting, electricity, security, telecommunications, smart home etc.

Selection Guide

Certification	Part No.*	Rated Output Power (W)*	Nominal Output Voltage and Current (Vo/Io)*	Output Voltage Adjustable Range (V)	Efficiency at 230VAC (%) Typ.	Room Temperature Max. Capacitive Load (uF)	Low Temperature Max. Capacitive Load (uF)
UL/EN/CCC/ BIS	LMF350-23B05UH	300	5V/60A	4.5-5.5	90	12000	6000
	LMF350-23B12UH	350.4	12V/29.2A	11.4-12.6	92	10000	4000
	LMF350-23B24UH	350.4	24V/14.6A	22.8-25.2	94	8000	3000
EN (Pending)	LMF350-23B28UH	350	28V/12.5A	26.6-29.4	94	7000	2500
UL/EN/CCC/ BIS	LMF350-23B36UH	351	36V/9.75A	34.2-37.8	94	6000	2000
	LMF350-23B48UH	350.4	48V/7.32A	45.6-50.4	94	4000	1000

Note:
 1. *Under any conditions, the total power of the product should not exceed the rated output power, and the output current should not exceed the rated output current;
 2. *Use suffix "C" for terminal with protective cover and 12V, 24V output product with optional salt-spray proof at terminal: LMF350-23BxxUH-YW.

Input Specifications

Item	Operating Conditions	Min.	Typ.	Max.	Unit
Input Voltage Range	AC input	85	--	305	VAC
	DC input	120	--	430	VDC
Input Voltage Frequency		47	--	63	Hz
Input Current	115VAC	--	--	4	A
	230VAC	--	--	2	
Inrush Current	115VAC	Cold start	--	16.7	--
	230VAC		--	42.3	
Power Factor	115VAC	Full load	0.98	--	--
	230VAC		0.98	--	
Leakage Current	240VAC	<0.5mA			
Hot Plug		Unavailable			

MORNSUN®

MORNSUN Guangzhou Science & Technology Co., Ltd.

2023.03.23-A/7

Page 1 of 5

MORNSUN Guangzhou Science & Technology Co., Ltd. reserves the copyright and right of final interpretation

AC/DC 350W Enclosed Switching Power Supply

LMF350-23BxxUH, LMF350-23BxxUH-C, LMF350-23BxxUH-YW Series

MORNSUN®

Output Specifications

Item	Operating Conditions		Min.	Typ.	Max.	Unit
Output Voltage Accuracy	Full load range	5V	--	±2	--	
		12V/24V/28V/36V/48V	--	±1	--	
Line Regulation	Rated load	5V	--	±0.5	--	%
		12V/24V/28V/36V/48V	--	±0.3	--	
Load Regulation	0% - 100% load	5V	--	±1	--	
		12V/24V/28V/36V/48V	--	±0.5	--	
Ripple & Noise*	20MHz bandwidth (peak-to-peak value), 25°C	5V/12V	--	--	200	mV
		24V/28V/36V/48V	--	--	240	
Temperature Coefficient			--	±0.03	--	%/°C
Minimum Load			0	--	--	%
Hold-up Time	Room temperature, full load, 115VAC/230VAC		12	--	--	ms
Short Circuit Protection			Hiccup, continuous, self-recover			
Over-current Protection	Room temperature, high temperature		110% - 200% Io, the protection lasts for 1s, self-recovery after the abnormality is removed			
	Low temperature		>110% Io, the protection lasts for 1s, self-recovery after the abnormality is removed			
Over-voltage Protection	5V		≤6.5VDC (Output voltage hiccup)			
	12V		≤15.6VDC (Output voltage hiccup)			
	24V		≤31.2VDC (Output voltage hiccup)			
	28V		≤35.0VDC (Output voltage hiccup)			
	36V		≤46.8VDC (Output voltage hiccup)			
	48V		≤62.4VDC (Output voltage hiccup)			
Over-temperature Protection			Output voltage turn off, self-recovery after the temperature drops			

Note: *The "Tip and barrel method" is used for ripple and noise test, output parallel 47μF electrolytic capacitor and 0.1μF ceramic capacitor, please refer to Enclosed Switching Power Supply Application Notes for specific information.

General Specifications

Item	Operating Conditions		Min.	Typ.	Max.	Unit			
Isolation	Input - ⊕	Electric strength test for 1min., leakage current <5mA	2000	--	--	VAC			
	Input - output		4000	--	--				
	Output - ⊕		1500	--	--				
Insulation Resistance	Input - ⊕	Ta= 25 ± 5°C Relative humidity: < 95%RH, no condensation Test voltage: 500VDC	50	--	--	MΩ			
	Input - output		50	--	--				
	Output - ⊕		50	--	--				
Operating Temperature			-40	--	+85	°C			
Storage Temperature			-40	--	+85				
Operating Humidity	Non-condensing		10	--	95	%RH			
Storage Humidity	Non-condensing		20	--	90				
Power Derating	Operating temperature derating	With aluminum plate*	230VAC	Others	+55°C to +85°C	2.33	--	--	% / °C
					+55°C to +70°C	3.33	--	--	
		Without aluminum plate	230VAC	5V	+70°C to +85°C	1.33	--	--	
					+55°C to +70°C	2	--	--	
		110VAC	5V	+70°C to +85°C	1.33	--	--		
				+55°C to +85°C	1.33	--	--		
Input voltage derating	85 - 100VAC		2	--	--	%/VAC			

MORNSUN®

MORNSUN Guangzhou Science & Technology Co., Ltd.

2023.03.23-A/7

Page 2 of 5

MORNSUN Guangzhou Science & Technology Co., Ltd. reserves the copyright and right of final interpretation

AC/DC 350W Enclosed Switching Power Supply

LMF350-23BxxUH, LMF350-23BxxUH-C, LMF350-23BxxUH-YW Series



Safety Standard		UL62368-1, GB4943.1, IS13252 (Part1) safety approved & EN62368-1, BS EN62368-1 (Report); Design refer to EN61558-1, EN60335-1
Safety Class		CLASS I
MTBF	MIL-HDBK-217F@25°C	≥300,000 h

Note: *In order to optimize the heat dissipation performance, when the aluminum plate is used for auxiliary heat dissipation, please note: 1. The size of the aluminum plate is 450mm x 450mm x 3mm; 2. The surface of the aluminum plate must be coated with thermal grease; 3. The product must be tightly attached to the aluminum plate.

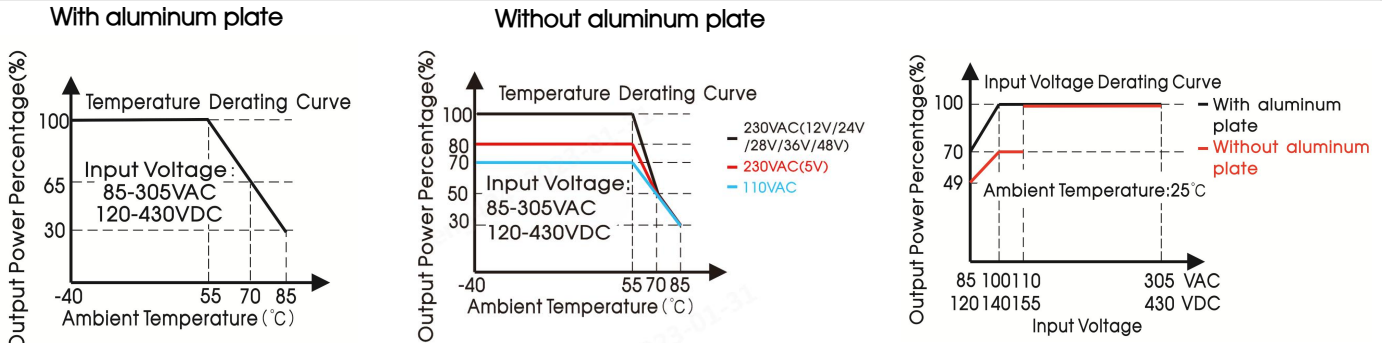
Mechanical Specifications

Case Material	Metal (AL6063, SGCC)
Dimensions	220.00mm x 62.00mm x 31.00mm
Weight	680g (Typ.)
Cooling Method	Free air convection

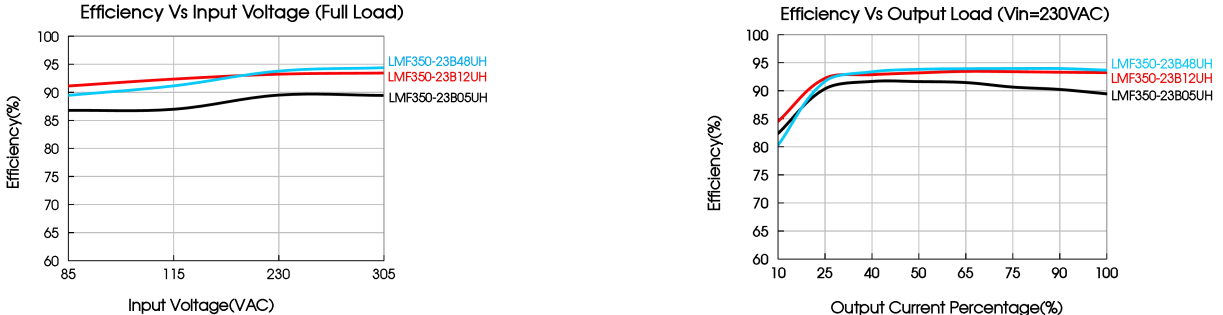
Electromagnetic Compatibility (EMC)

Emissions	CE	CISPR32/EN55032	CLASS B	
	RE	CISPR32/EN55032	CLASS B	
	Harmonic current	IEC/EN61000-3-2	CLASS A	
	Voltage flicker	IEC/EN6100-3-3		
Immunity	ESD	IEC/EN61000-4-2	Contact ±6KV/Air ±8KV	perf. Criteria A
	RS	IEC/EN61000-4-3	10V/m	perf. Criteria A
	EFT	IEC/EN61000-4-4	±2KV	perf. Criteria A
	Surge	IEC/EN61000-4-5	line to line ±2KV/line to PE ± 4KV	perf. Criteria A
	CS	IEC/EN61000-4-6	10 Vr.m.s	perf. Criteria A
	Voltage dip, short interruption and voltage variation	IEC/EN61000-4-11	0%, 70%	perf. Criteria B
	Intercom interference test	MS-SOP-DQC-007		perf. Criteria B

Product Characteristic Curve

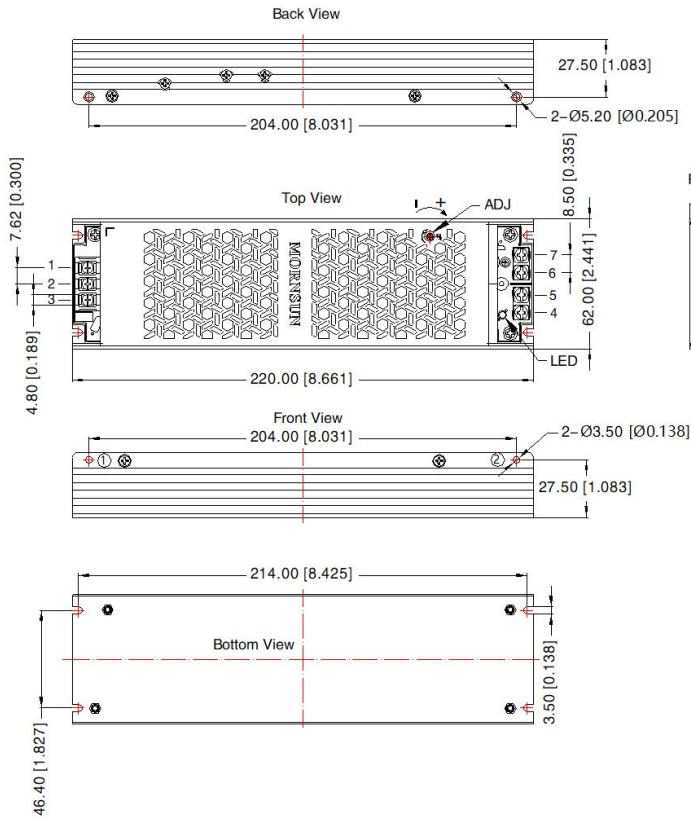


- Note: 1. With an AC input voltage between 85-100VAC and a DC input between 120-140VDC the output power must be derated as per the temperature derating curves;
2. This product is suitable for applications using natural air cooling; for applications in closed environment please consult Mornsun FAE.



Dimensions and Recommended Layout

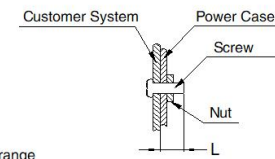
LMF350-23BxxUH, LMF350-23BxxUH-YW Series



THIRD ANGLE PROJECTION

Pin	Mark
1	\oplus
2	AC(N)
3	AC(L)
4	+Vo
5	+Vo
6	-Vo
7	-Vo

Position	Screw Spec.	L(max)	Torque(max)
①-②	M3	6mm	0.4N·m

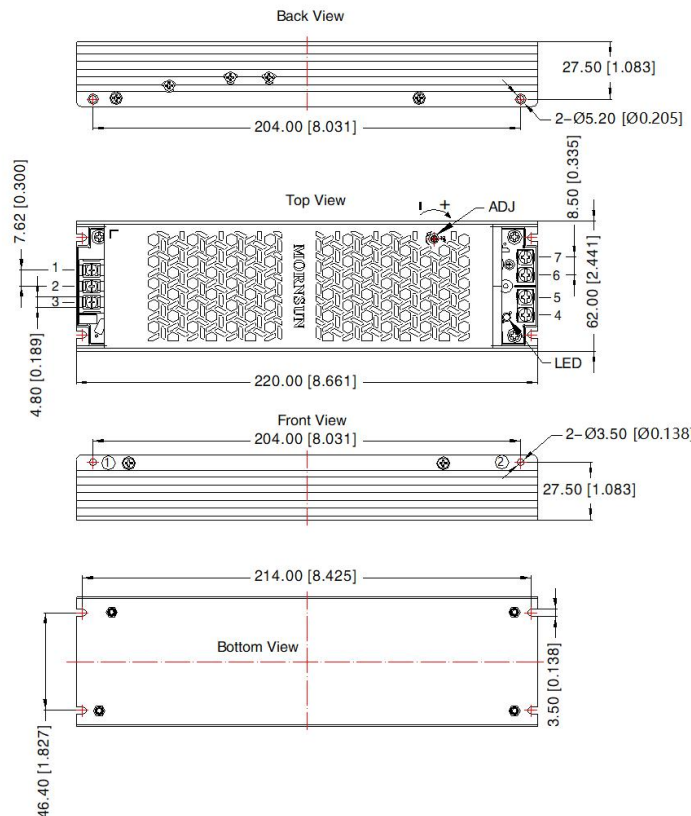


Connector wires range

Pro. No	Input connector	Output connector (double wires)	Output connector (double wires) Pic.
5V	22-14AWG	14-12AWG	
12V		16-12AWG	
24/36/48V		18-12AWG	
Screw/torque	M3.0, Max 0.5N·m	M3.5, Max 0.8N·m	

Note:
 Unit: mm[inch]
 ADJ: Output adjustable resistor
 General tolerances: $\pm 1.00[\pm 0.039]$

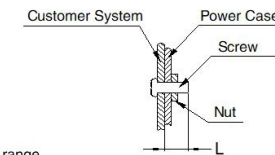
LMF350-23BxxUH-C Series



THIRD ANGLE PROJECTION

Pin	Mark
1	\oplus
2	AC(N)
3	AC(L)
4	+Vo
5	+Vo
6	-Vo
7	-Vo

Position	Screw Spec.	L(max)	Torque(max)
①-②	M3	6mm	0.4N·m



Connector wires range

Pro. No	Input connector	Output connector (double wires)	Output connector (double wires) Pic.
5V	22-14AWG	14-12AWG	
12V		16-12AWG	
24/36/48V		18-12AWG	
Screw/torque	M3.0, Max 0.5N·m	M3.5, Max 0.8N·m	

Note:
 Unit: mm[inch]
 ADJ: Output adjustable resistor
 General tolerances: $\pm 1.00[\pm 0.039]$

Installation Diagram

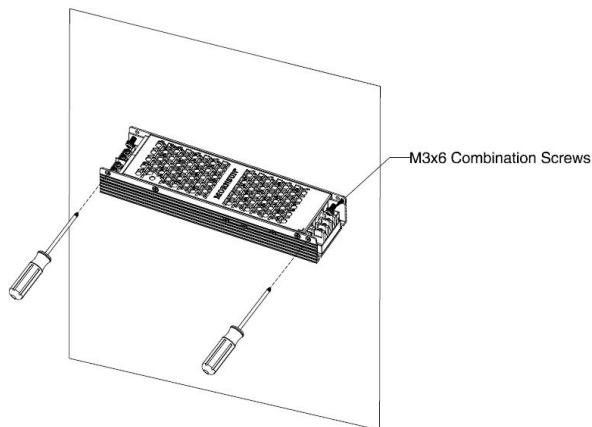


Figure 1

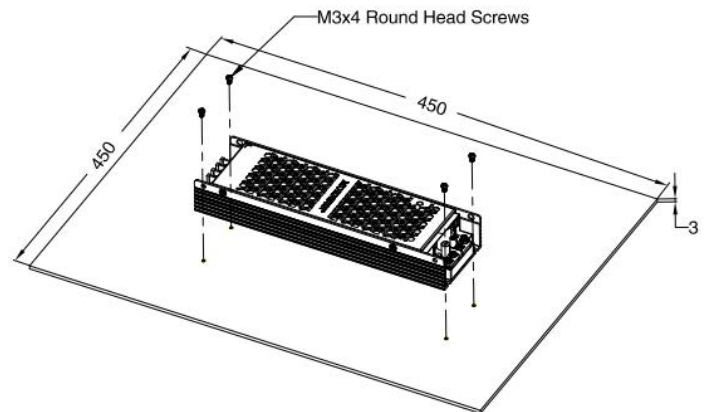


Figure 2

Note: 1. Figure 1 is a schematic diagram of side installation, install with M3 x 6 combination screws, derating refer to without aluminum plate curve;
2. Figure 2 is the schematic diagram of the bottom installation, install with M3 x 4 round head screws, it is necessary to apply thermal grease on the bottom of the product, derating refer to with aluminum plate curve.

Note:

1. For additional information on Product Packaging please refer to www.mornsun-power.com. Packaging bag number: 58220233;
2. Unless otherwise specified, parameters in this datasheet were measured under the conditions of $T_a=25^{\circ}\text{C}$, humidity $<75\%\text{RH}$ with nominal input voltage and rated output load;
3. The room temperature derating of $5^{\circ}\text{C}/1000\text{m}$ is needed for operating altitude greater than 2000m;
4. All index testing methods in this datasheet are based on our company corporate standards;
5. In order to improve the efficiency at high input voltage, there will be audible noise generated, but it does not affect product performance and reliability;
6. We can provide product customization service, please contact our technicians directly for specific information;
7. Products are related to laws and regulations: see "Features" and "EMC";
8. The out case needs to be connected to PE (\oplus) of system when the terminal equipment in operating;
9. The output voltage can be adjusted by the ADJ, clockwise to increase;
10. If product involves multi-brand materials and there are differences in color etc, please refer to the standards of each manufacturer;
11. Our products shall be classified according to ISO14001 and related environmental laws and regulations, and shall be handled by qualified units;
12. The power supply is considered a component which will be installed into a terminal equipment. All EMC tests should be confirmed with the final equipment. Please consult our FAE for EMC test operation instructions.

Mornsun Guangzhou Science & Technology Co., Ltd.

Address: No. 5, Kehui St. 1, Kehui Development Center, Science Ave., Guangzhou Science City, Huangpu District, Guangzhou, P. R. China

Tel: 86-20-38601850

Fax: 86-20-38601272

E-mail: info@mornsun.cn

www.mornsun-power.com