



FEATURES

- Universal 90 - 264VAC or 127 - 370VDC input voltage
- Operating ambient temperature range: -40°C to +70°C
- Built-in active PFC function
- Output short circuit, over-current, over-voltage protection, over-temperature protection
- 320W with air cooling, 550W with 25CFM
- 5VDC standby output, 12VDC fan supply
- PG signal and remote sensing function
- Safety according to medical certification, suitable for BF application
- The base plate with conformal coating
- 3 years warranty
- Operating altitude up to 5000m
- Safety according to IEC62368, GB4943, IEC/EN60335, IEC/EN61558

LOF550-20Bxx-C(-CF) series is one of Mornsun's enclosed AC-DC switching power supply and suitable for all kinds of BF type (be accessible to patients) medical system equipment. It features universal AC input and at the same time accepts DC input voltage, cost-effective, low no load power consumption, high efficiency, high reliability and double or reinforced insulation. These converters offer excellent EMC performance and meet IEC/EN61000-1, IEC/UL/EN62368-1, GB4943.1, EN60335-1, IEC/EN61558-1, IEC/EN/ES60601-1 standards and they are widely used in areas of industrial, LED, street light control, electricity, security, telecommunications, smart home, etc.

Selection Guide

Certification	Part No.*	Cooling Method*	Output Power (W)*	Nominal Output Voltage and Current (Vo/Io)	Output Voltage Adjustable Range (V)	Efficiency at 230VAC (%) Typ. *	Capacitive Load (μF) Max.
UL/EN/IEC	LOF550-20B12-C	Air cooling	309.6	12V/25.8A	11.4-12.6	91	6000
		25CFM	499.2	12V/41.6A			
	LOF550-20B15-C	Air cooling	310.5	15V/20.7A	14.25-15.75	92	6000
		25CFM	499.5	15V/33.3A			
-	LOF550-20B18-C	Air cooling	320.4	18V/17.8A	17.1-19.9	92.5	6000
		25CFM	500.4	18V/27.8A			
	LOF550-20B19-C	Air cooling	319.2	19V/16.8A			
		25CFM	499.7	19V/26.3A			
UL/EN/IEC	LOF550-20B24-C	Air cooling	309.6	24V/12.9A	22.8-25.2	93	6000
		25CFM	549.6	24V/22.9A			
UL/EN	LOF550-20B27-C	Air cooling	310.5	27V/11.5A	25.65-28.35	93.5	4000
		25CFM	550.8	27V/20.4A			
	LOF550-20B36-C	Air cooling	309.6	36V/8.6A	34.2-37.8	94	3000
		25CFM	550.8	36V/15.3A			
UL/EN/IEC	LOF550-20B48-C	Air cooling	312.0	48V/6.5A	45.6-50.4	94	2000
		25CFM	550.0	48V/11.46A			
	LOF550-20B54-C	Air cooling	310.5	54V/5.75A	51.3-56.7	94	1500
		25CFM	550.8	54V/10.2A			
UL/EN/IEC	LOF550-20B12-CF	Forced air cooling	499.2	12V/41.6A	11.4-12.6	91	6000
	LOF550-20B15-CF	Forced air cooling	499.5	15V/33.3A	14.25-15.75	92	6000
-	LOF550-20B18-CF	Forced air cooling	500.4	18V/27.8	17.1-19.9	92.5	6000
	LOF550-20B19-CF	Forced air cooling	499.7	19V/26.3			
UL/EN/IEC	LOF550-20B24-CF	Forced air cooling	549.6	24V/22.9A	22.8-25.2	93	6000
UL/EN	LOF550-20B27-CF	Forced air cooling	550.8	27V/20.4A	25.65-28.35	93.5	4000

AC/DC 550W Enclosed Switching Power Supply

LOF550-20Bxx-C(-CF) Series

MORNSUN®

	LOF550-20B36-CF	Forced air cooling	550.8	36V/15.3A	34.2 - 37.8	94	3000
UL/EN/IEC	LOF550-20B48-CF	Forced air cooling	550.0	48V/11.46A	45.6 - 50.4	94	2000
	LOF550-20B54-CF	Forced air cooling	550.8	54V/10.2	51.3 - 56.7	94	1500

Notes: 1.*Under any conditions, the total power of the product should not exceed the rated power. When the output voltage is increased, the total output power cannot exceed the rated output power, when the output voltage is decreased, the output current cannot exceed the rated output current;
 2.*When measuring the full load efficiency, the fan should be connected to an external power supply. Fan loss is not included in the input power;
 3.*LOF open frame series is also available, named LOF550-20Bxx ;
 4.*25CFM refers to LOF550-20Bxx-C series external fan speed, forced air cooling 25CFM refers to the built-in fan speed, which automatically starts when the LOF550-20Bxx-CF series are turned on.

Input Specifications

Item	Operating Conditions		Min.	Typ.	Max.	Unit
Input Voltage Range	AC input		90	--	264	VAC
	DC input		127	--	370	VDC
Input Frequency			47	--	63	Hz
Input Current	115VAC		--	--	6.5	A
	230VAC		--	--	4.0	
Inrush Current	Cold start		--	50	--	A
	230VAC		--	80	--	
Power Factor	Full load		0.98	--	--	--
	230VAC		0.95	--	--	--
Leakage Current	264VAC, 50Hz		Contact leakage current			<0.1mA
			Earth leakage current			<0.5mA
Hot Plug						Unavailable

Output Specifications*

Item	Operating Conditions		Min.	Typ.	Max.	Unit
Output Voltage Accuracy*	Full load	12V/15V/18V/19V/24V/27V	--	±2	--	%
		36V/48V/54V	--	±1	--	
Line Regulation	Rated load		--	±0.5	--	%
Load Regulation	0%-100% load		--	±1	--	
Ripple & Noise*	20MHz bandwidth (peak-to-peak value)		--	--	200	mV
Temperature Coefficient			--	±0.03	--	%/°C
Minimum Load			0	--	--	%
Hold-up Time	115VAC input		10	--	--	ms
	230VAC input		10	--	--	
Stand-by Power Consumption	Room temperature, 230VAC input (PS_ON Low level)	18V/19V/27V/36V	--	--	0.5	W
		12V/15V/24V/48V/54V	--	--	0.6	
Short Circuit Protection	Recover time <5s after the short circuit disappear	18V/19V/27V/36V	Hiccup, continuous, self-recover			Hiccup mode, constant current works 1s, turn off 10s, continuous, self-recover
	Recover time <10s after the short circuit disappear	12V/15V/24V/48V/54V				
Over-current Protection			≥105%Io, hiccup, self-recover			
Over-voltage Protection	12V		≤15.6V			Output voltage turn off, re-power on for recover
	15V		≤19.5V			
	18V		≤23.4V			
	19V		≤23.4V			
	24V		≤31.2V			
	27V		≤35.1V			
	36V		≤46.8V			
	48V		≤60.0V			

MORNSUN®

MORNSUN Guangzhou Science & Technology Co., Ltd.

2023.04.11-B/1 Page 2 of 8

MORNSUN Guangzhou Science & Technology Co., Ltd. reserves the copyright and right of final interpretation

AC/DC 550W Enclosed Switching Power Supply

LOF550-20Bxx-C(-CF) Series

MORNSUN®

	54V		≤63.0V			
Over-temperature Protection			Protection when over-temperature, recover automatically after the temperature drops.			
Fan Power*			Offer output power of 12V/0.5A			
PS_ON Input Signal*	Power on	PS_ON high	2	--	5	V
	Power off	PS_ON low	0	--	0.5	
PG Signal*	Power on	The PG signal goes high with 10ms to 500ms delay after power set up	10	--	500	ms
	Power off/Power fail	The TTL signal goes low at least 1ms before output below 90% of rated value	1	--	--	
	High level	High	2	--	6	V
	Low level	Low	0	--	0.6	
Remote Sense	When RS+ and RS- are connected to the system, with function of remote voltage compensation, if not needed, left RS+ and RS- open					
5V Standby	5Vsb: The load capacity is 0.6A without fan, the load capacity is 1A with fan 25CFM; tolerance 2%, ripple: 120mVp-p(max.)					

Note: 1.*Output Voltage Accuracy: including setting error, line regulation, load regulation;
2.*The "Tip and barrel method" is used for ripple and noise test, output parallel 47uF electrolytic capacitor (Low ESR) and 0.1uF ceramic capacitor, please refer to AC-DC Converter Application Notes for specific information;
3.*For fan power connection method, please refer to 5, 6 in the external dimension drawing;
4.*For PS_ON, 5V standby connection method, please refer to CN6 in the external dimension drawing;
5.*For PG standby connection method, please refer to CN2 in the external dimension drawing;
6.*For all the above test items, please refer to our company standard "AC-DC Black Box Test Specification" for specific test specifications and methods;

General Specifications

Item	Operating Conditions		Min.	Typ.	Max.	Unit		
Isolation Test	Input - output	Electric Strength Test for 1min. Leakage current < 5mA	4000	--	--	VAC		
	Input - ⊕		2000	--	--			
	output - ⊕		1500	--	--			
Insulation Resistance	Input - output	Environment temperature: 25 ± 5℃, Relative humidity: <95%RH, non-condensing Testing voltage: 500VDC	100	--	--	MΩ		
	Input - ⊕		100	--	--			
	output - ⊕		100	--	--			
Isolation level	Input-output		2 x MOPP					
	Input - ⊕		1 x MOPP					
	output - ⊕		1 x MOPP					
Operating Temperature		-40	--	+70	℃			
Storage Temperature		-40	--	+85				
Storage Humidity	Non-condensing		10	--	95	%RH		
Operating Humidity			20	--	90			
Switching Frequency			--	--	--	KHz		
Power Derating	Operating Temperature derating	LOF550-20B12/15/18/19-CF	+50℃ to +70℃	3.1	--	--	% / ℃	
		LOF550-20B24/27/36/48/54-CF	+50℃ to +70℃	3.25	--	--		
		25CFM	LOF550-20B12/15/18 /19-C	+50℃ to +70℃	2.5	--		--
			LOF550-20B24/27 /36/48/54-C	+50℃ to +70℃	2.75	--		--
	Air cooling (310W)	230VAC	+30℃ to +40℃	1	--	--	W / ℃	
			+40℃ to +60℃	5	--	--		
			+30℃ to +50℃	4.5	--	--		
			+50℃ to +60℃	6	--	--		
Input voltage derating	90VAC -115VAC		1.0	--	--	% / VAC		
	127VDC -160VDC		0.76	--	--	% / VDC		
Safety Standard	12V/15V/24V/48V		UL62368-1, ES60601-1, IEC60601-1 safety approved & EN/BS EN62368-1, EN/BS					

MORNSUN®

MORNSUN Guangzhou Science & Technology Co., Ltd.

2023.04.11-B/1 Page 3 of 8

MORNSUN Guangzhou Science & Technology Co., Ltd. reserves the copyright and right of final interpretation

		EN60601-1(Report) Design refer to IEC62368-1, ES60601-1, GB4943.1, EN60335-1
	18V/19V	Design refer to EN/UL/IEC62368-1, GB4943.1, IEC/ES/EN60601-1, EN60335-1
	27V/36V	UL62368-1, ES60601-1 safety approved & EN/BS EN62368-1, EN/BS EN60601-1(Report) Design refer to IEC62368-1, GB4943.1, IEC60601-1, EN60335-1
	54V	UL62368-1, IEC60601-1 safety approved & EN/BS EN62368-1(Report) Design refer to IEC62368-1, GB4943.1, EN60335-1, EN60601-1
Safety Class		CLASS I
MTBF	MIL-HDBK-217F@25°C	>200,000 h

Mechanical Specifications

Case Material	Metal (AL5052, SUS304)		
Dimension	130.00mm x 86.00mm x 43.00mm	LOF550-20Bxx-C series	160.00mm x 86.00mm x 43.00mm
			LOF550-20Bxx-CF series
Weight	605g (Typ.)	LOF550-20Bxx-C series	645g (Typ.)
			LOF550-20Bxx-CF series
Cooling Method*	Air cooling (310W) / 25CFM (500W/550W)		

Notes: *Please refer to the product characteristic curve for cooling method and power derating.

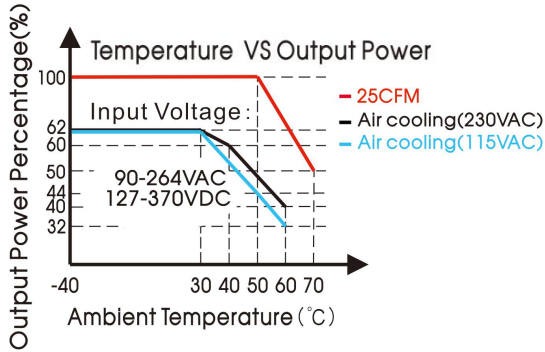
Electromagnetic Compatibility (EMC)*

Emissions	CE	EN55032(CISPR32)/EN55011(CISPR11) CLASS B		
	RE	EN55032(CISPR32)/EN55011(CISPR11) CLASS B		
	Harmonic Current	IEC/EN61000-3-2	CLASS A and CLASS D	
	Flicker	IEC/EN61000-3-3		
Immunity	ESD	IEC/EN61000-4-2	Contact ±8KV/Air ±15KV	Perf. Criteria A
	RS	IEC/EN61000-4-3	10V/m	Perf. Criteria A
	EFT	IEC/EN61000-4-4	±2KV	Perf. Criteria A
	Surge	IEC/EN61000-4-5	line to line ±2KV/line to ground ±4KV	Perf. Criteria A
	CS	IEC/EN61000-4-6	10 Vr.m.s	Perf. Criteria A
	DIP IEC/EN61000-4-11 0%, 70%	DIP IEC/EN61000-4-11	0%, 70%	Perf. Criteria B

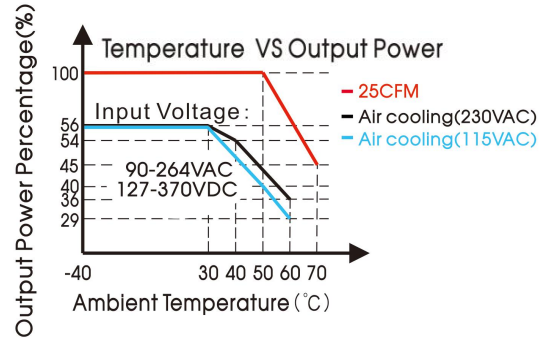
Note: *The power supply should be considered as a part of the components in the system. All EMC performance are been tested on a metal plate with a thickness of 1mm and a length of 360mm x 360mm. The power supply must be combined with the terminal equipment for electromagnetic compatibility confirmation.

Product Characteristic Curve

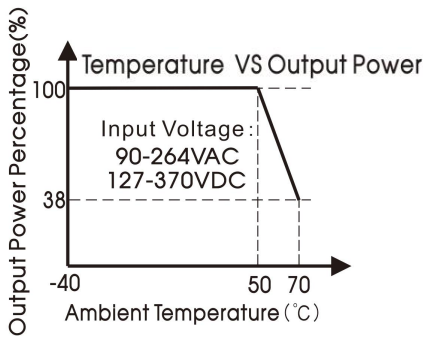
LOF550-20B12/15/18/19-C
(full load 500W with 25CFM)



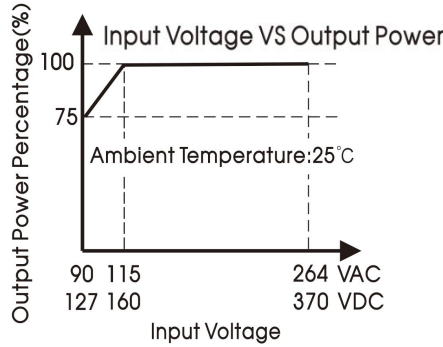
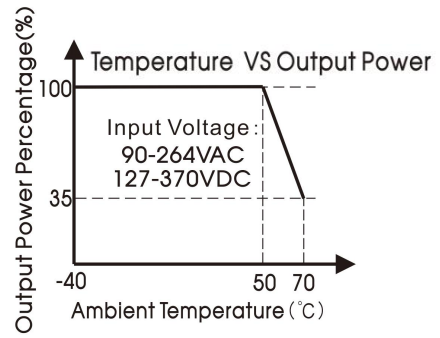
LOF550-20B24/27/36V/48/54-C
(full load 500W with 25CFM)



LOF550-20B12/15/18/19-CF
(full load 500W with 25CFM)

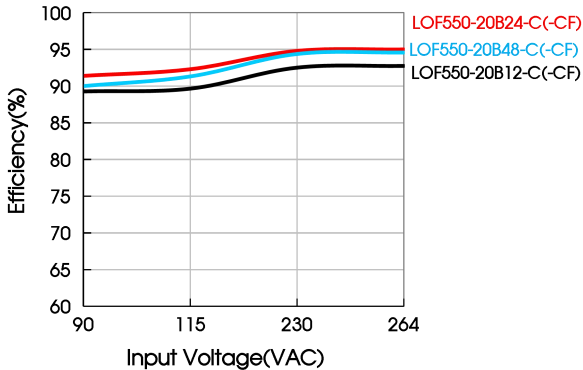


LOF550-20B24/27/36V/48/54-CF
(full load 500W with 25CFM)

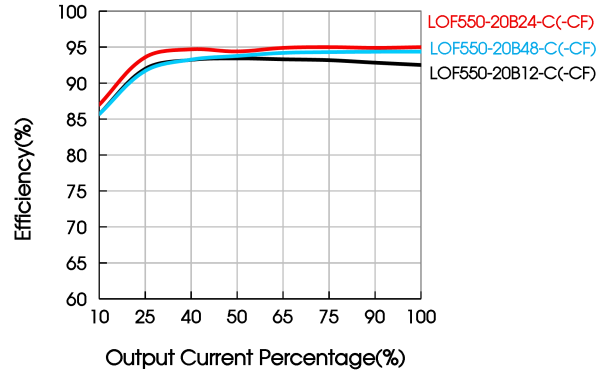


Note: With an AC input voltage between 90 - 115VAC and a DC input between 127 - 160VDC the output power must be derated as per the temperature derating curves

Efficiency Vs Input Voltage (Full Load)



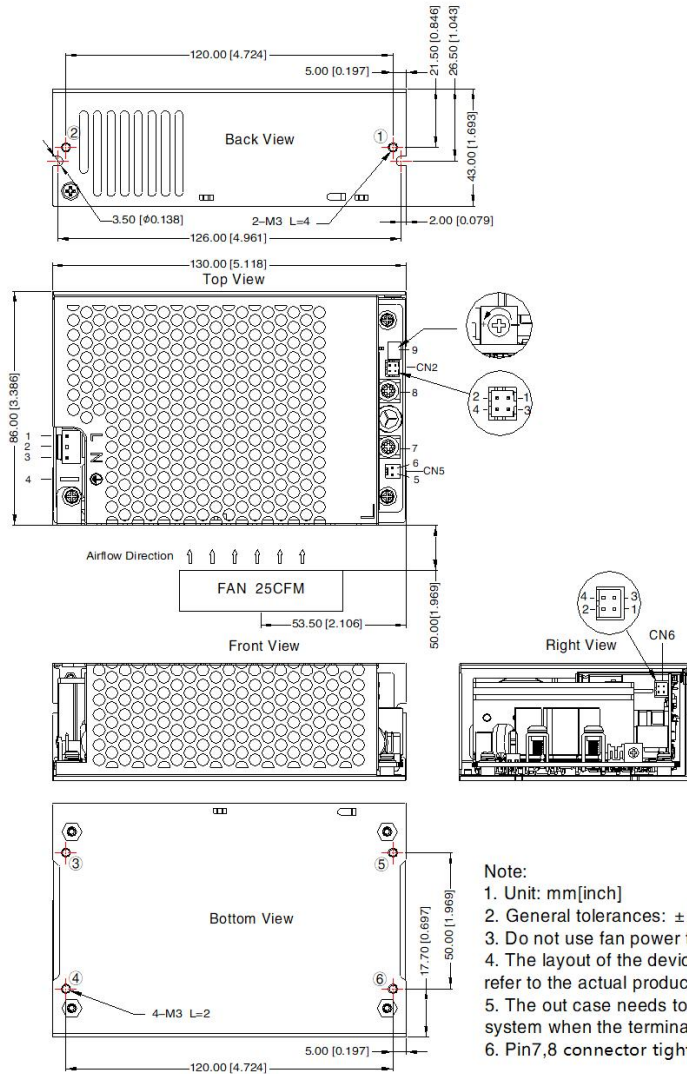
Efficiency Vs Output Load (Vin=230VAC)



Dimensions and Recommended Layout

LOF550-20Bxx-C Series

THIRD ANGLE PROJECTION



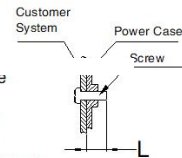
Pin-Out		Customer Connector
Pin	Mark	Housing: JST VHR Contact: JST SVH-21T-P1.1 or PJA-016(Mornsun Accessory)
1	AC(L)	
2	NC	
3	AC(N)	
4		CN5: Fan power output port Housing: TKP 2502 or equivalent Contact: TKP 8811 or equivalent
5	FAN+	
6	FAN-	
7	+Vo	
8	-Vo	
9	ADJ Output adjustable resistor	

Pin-Out		Customer Connector
4-3	3	CN6: PS_ON signal input port(3-4) 5VDC Standby output(1-2)
2-1	1	
Pin	Mark	Housing: JST PHD-2'2Y or HRS DF11-4DS-2C or equivalent Contact: JST PHD-TE or HRS DF11-22SC or equivalent
1	+5V	
2	GND	
3	PS-ON	
4	GND	

Pin-Out		Customer Connector
2-1	1-2	CN2: Remote sensing signal input port(1-2) PG signal(3-4)
4-3	3-4	
Pin	Mark	Housing: JST PHD-2'2Y or HRS DF11-4DS-2C or equivalent Contact: JST PHD-TE or HRS DF11-22SC or equivalent
1	RS-	
2	RS+	
3	GND	
4	PG	

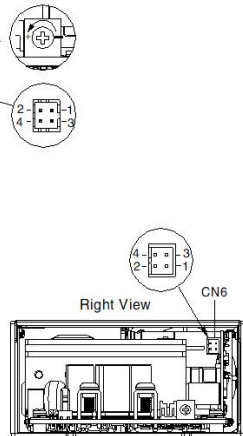
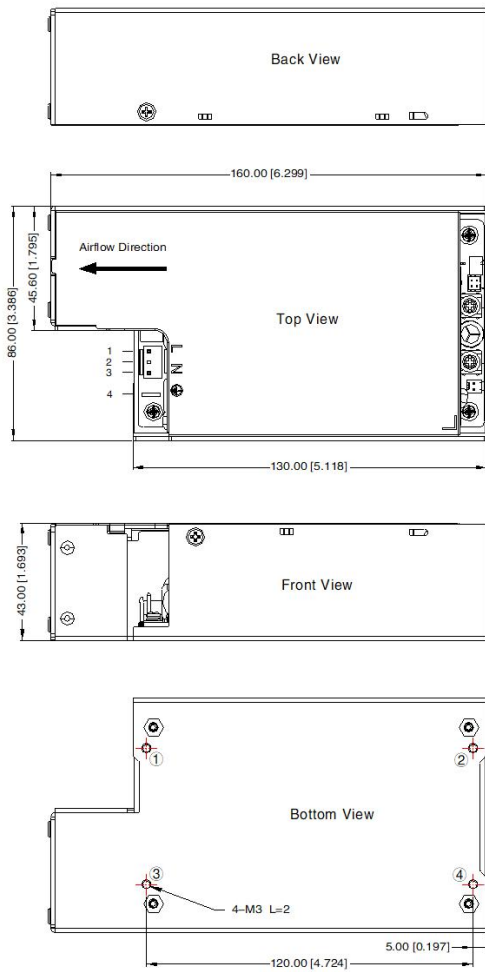
Position	Screw Spec.	L(max)	Torque(max)
①-②	M3	4mm	0.4N·m
③-④	M3	2mm	0.4N·m

- Note:
- Unit: mm[inch]
 - General tolerances: $\pm 1.00 [\pm 0.039]$
 - Do not use fan power to power other devices
 - The layout of the device is for reference only, please refer to the actual product
 - The out case needs to be connected to the earth of system when the terminal
 - Pin,7,8 connector tightening torque: M4, 1.2N · m(max)



LOF550-20Bxx-CF Series

THIRD ANGLE PROJECTION



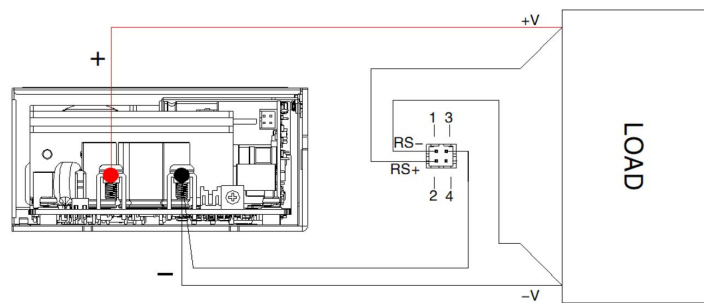
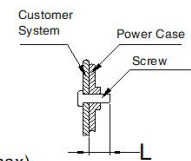
Pin-Out		Customer Connector
Pin	Mark	Housing: JST VHR Contact: JST SVH-21T-P1.1 or PJA-017(Mornsun Accessory)
1	AC(L)	
2	NC	
3	AC(N)	
4		CN5: Fan power output port Housing: TKP 2502 or equivalent Contact: TKP 8811 or equivalent
5	FAN+	
6	FAN-	
7	+Vo	
8	-Vo	
9	ADJ	Output adjustable resistor

Pin-Out		Customer Connector
4	3	CN6: PS_ON signal input port(3-4) 5VDC Standby output(1-2)
2	1	
Pin	Mark	Housing: JST PHD-2*2Y or HRS DF11-4DS-2C or equivalent Contact: JST PHD-TE or HRS DF11-225C or equivalent
1	+5V	
2	GND	
3	PS-ON	
4	GND	

Pin-Out		Customer Connector
2	1	CN2: Remote sensing signal input port(1-2) PG signal(3-4)
4	3	
Pin	Mark	Housing: JST PHD-2*2Y or HRS DF11-4DS-2C or equivalent Contact: JST PHD-TE or HRS DF11-225C or equivalent
1	RS-	
2	RS+	
3	GND	
4	PG	

Position	Screw Spec.	L(max)	Torque(max)
①-④	M3	2mm	0.4N·m

- Note:**
- Unit: mm[inch]
 - General tolerances: $\pm 1.00[\pm 0.039]$
 - Do not use fan power to power other devices
 - The layout of the device is for reference only, please refer to the actual product
 - The out case needs to be connected to the earth of system when the terminal
 - Pin7,8 connector tightening torque: M4, 1.2N·m(max)



Remote sensing function wiring diagram

- Note:**
- RS - and RS + cannot be shorted or reversed, otherwise the power module will be damaged;
 - The remote compensation function can compensate the voltage drop on the output cable, which includes the sum of the cable drop connected to the output positive terminal and the output negative terminal;
 - If you need to use remote compensation function, the signal pin needs to be connected with the load and with a twisted pair.
 - The PJA-XXX series is the accessories of products, quotation is available.

Note:

1. For additional information on Product Packaging please refer to www.mornsun-power.com. Packaging bag number: 58220219 (LOF550-20Bxx-C); 58220220 (LOF550-20Bxx-CF);
2. Unless otherwise specified, parameters in this datasheet were measured under the conditions of $T_a=25^{\circ}\text{C}$, humidity<75%RH with nominal input voltage and rated output load;
3. All index testing methods in this datasheet are based on our company corporate standards;
4. In order to improve the efficiency, there will be audible noise generated when working at light load, but it does not affect product performance and reliability;
5. We can provide product customization service, please contact our technicians directly for specific information ;
6. Products are related to laws and regulations: see "Features" and "EMC";
7. The out case needs to be connected to PE (\oplus) of system when the terminal equipment in operating;
8. CAUTION: Double pole, neutral fusing. Disconnect mains before servicing."/ "ATTENTION: Double pôle/fusible sur le neutre. Débrancher l'alimentation avant l'entretien;
9. Our products shall be classified according to ISO14001 and related environmental laws and regulations, and shall be handled by qualified units;
10. The power supply is considered a component which will be installed into a terminal equipment. All EMC tests should be confirmed with the final equipment. Please consult our FAE for EMC test operation instructions.

Mornsun Guangzhou Science & Technology Co., Ltd.

Address: No. 5, Kehui St. 1, Kehui Development Center, Science Ave., Guangzhou Science City, Huangpu District, Guangzhou, P. R. China
Tel: 86-20-38601850 Fax: 86-20-38601272 E-mail: info@mornsun.cn www.mornsun-power.com