



### FEATURES

- Universal 90 - 264VAC or 127 - 370VDC input voltage
- Operating ambient temperature range: -40°C to +70°C
- Built-in active PFC function
- Output short circuit, over-current, over-voltage protection, over-temperature protection
- 250W with air cooling, 450W with 25CFM
- 5VDC standby output, 12VDC fan supply
- PG signal and remote sensing function
- The base plate with conformal coating
- Safety according to medical certification, suitable for BF application
- Operating altitude up to 5000m
- 3 years warranty
- Safety according to IEC62368, GB4943, IEC/EN60335, IEC/EN61558



UL62368-1  
ES60601-1



EN62368-1  
EN60601-1



BS EN62368-1  
BS EN60601-1



IEC60601-1



LOF450-20Bxx-C(-CF) series is one of Mornsun's enclosed AC-DC switching power supply and suitable for all kinds of BF type (be accessible to patients) medical system equipment. It features universal AC input and at the same time accepts DC input voltage, cost-effective, low no load power consumption, high efficiency, high reliability and double or reinforced insulation. These converters offer excellent EMC performance and meet IEC/EN/UL62368-1, GB4943.1, IEC/EN60335-1, IEC/EN61558-1, IEC/EN/ES60601-1 standards and they are widely used in areas of industrial, LED, street light control, electricity, security, telecommunications, smart home, etc.

### Selection Guide

Certification	Part No.*	Cooling Method*	Output Power (W)*	Nominal Output Voltage and Current (Vo/Io)	Output Voltage Adjustable Range ADJ (V)	Efficiency at 230VAC (%) Typ. *	Capacitive Load (μF) Max.
UL/EN/IEC	LOF450-20B12-C	Air cooling	249.6	12V/20.8A	11.4 - 12.6	91	6000
		25CFM	399.6	12V/33.3A			
	LOF450-20B15-C	Air cooling	250.5	15V/16.7A	14.25 - 15.75	92	6000
		25CFM	400.5	15V/26.7A			
-	LOF450-20B18-C	Air cooling	250.2	18V/13.9A	17.1 - 19.9	92.5	6000
		25CFM	399.6	18V/22.2A			
	LOF450-20B19-C	Air cooling	250.8	19V/13.2A			
		25CFM	400.9	19V/21.1A			
UL/EN/IEC	LOF450-20B24-C	Air cooling	252	24V/10.5A	22.8 - 25.2	93	6000
		25CFM	450	24V/18.75A			
UL/EN	LOF450-20B27-C	Air cooling	251.1	27V/9.3A	25.65 - 28.35	93.5	4000
		25CFM	450.9	27V/16.7A			
	LOF450-20B36-C	Air cooling	250.2	36V/6.95A	34.2 - 37.8	93	3000
		25CFM	450	36V/12.5A			
UL/EN/IEC	LOF450-20B48-C	Air cooling	254.4	48V/5.3A	45.6 - 50.4	94	2000
		25CFM	451.2	48V/9.4A			
	LOF450-20B54-C	Air cooling	250	54V/4.63A	51.3 - 56.7	94	2000
		25CFM	449.8	54V/8.33A			
UL/EN/IEC	LOF450-20B12-CF	Forced air cooling	399.6	12V/33.3A	11.4 - 12.6	91	6000
	LOF450-20B15-CF	Forced air cooling	400.5	15V/26.7A	14.25 - 15.75	92	6000
-	LOF450-20B18-CF	Forced air cooling	399.6	18V/22.2A	17.1 - 19.9	92.5	6000
	LOF450-20B19-CF	Forced air cooling	400.9	19V/21.1A	17.1 - 19.9	92.5	6000
UL/EN/IEC	LOF450-20B24-CF	Forced air cooling	450.0	24V/18.75A	22.8 - 25.2	93	6000
UL/EN	LOF450-20B27-CF	Forced air cooling	450.9	27V/16.7A	25.65 - 28.35	93.5	4000

# AC/DC 450W Enclosed Switching Power Supply

## LOF450-20Bxx-C(-CF) Series

**MORNSUN®**

	LOF450-20B36-CF	Forced air cooling	450.0	36V/12.5A	34.2 - 37.8	93	3000
UL/EN/IEC	LOF450-20B48-CF	Forced air cooling	451.2	48V/9.4A	45.6 - 50.4	94	2000
	LOF450-20B54-CF	Forced air cooling	449.8	54V/8.33A	51.3 - 56.7	94	2000

Notes: 1.\*Under any conditions, the total power of the product should not exceed the rated power. When the output voltage is increased, the total output power cannot exceed the rated output power, when the output voltage is decreased, the output current cannot exceed the rated output current ;  
 2.\*When measuring the full load efficiency, the fan should be connected to an external power supply. Fan loss is not included in the input power;  
 3.\*LOF Products with shell is also available, named LOF450-20Bxx-C/CF;  
 4.\*25CFM refers to LOF450-20Bxx-C series external fan speed, forced air cooling 25CFM refers to the built-in fan speed, which automatically starts when the LOF450-20Bxx-CF series are turned on.

### Input Specifications

Item	Operating Conditions		Min.	Typ.	Max.	Unit
Input Voltage Range	AC input		90	--	264	VAC
	DC input		127	--	370	VDC
Input Frequency			47	--	63	Hz
Input Current	115VAC		--	--	5.2	A
	230VAC		--	--	3	
Inrush Current	115VAC		Cold start	--	40	
	230VAC			--	80	
Power Factor	115VAC		Full load	0.98	--	--
	230VAC			0.95	--	--
Leakage Current	264VAC, 50Hz		Contact leakage current		<0.1mA	
			Earth leakage current		<0.5mA	
Hot Plug			Unavailable			

### Output Specifications\*

Item	Operating Conditions		Min.	Typ.	Max.	Unit
Output Voltage Accuracy*	Full load	12V/15V/18V/19V/24V	--	±2	--	%
		27V/36V/48V/54V	--	±1	--	
Line Regulation	Rated load		--	±0.5	--	%
Load Regulation	0%-100% load		--	±1	--	
Ripple & Noise*	20MHz bandwidth (peak-to-peak value)		--	--	200	mV
Temperature Coefficient			--	±0.03	--	%/°C
Minimum Load			0	--	--	%
Hold-up Time	25°C, 115VAC input		12	--	--	ms
	25°C, 230VAC input		16	--	--	
Stand-by Power Consumption	Room temperature, 230VAC input (PS_ON Low level)	15V/18V/19V/27V/36V/54V	--	--	0.5	W
		12V/24V/48V	--	--	0.6	
Short Circuit Protection	Recovery time <5s after the short circuit disappear		15V/18V/19V/27V/36V/54V		Hiccup, continuous, self-recover	
	Recovery time <10s after the short circuit disappear		12V/24V/48V		Hiccup mode, constant current works 1s, turn off 10s, continuous, self-recover	
Over-current Protection			≥ 105%Io, hiccup, self-recover			
Over-voltage Protection	12V		≤ 15.6V		Output voltage turn off, re-power on for recover	
	15V		≤ 19.5V			
	18V		≤ 23.4V			
	19V		≤ 31.2V			
	24V		≤ 35.1V			
	27V		≤ 46.8V			
	36V		≤ 46.8V			

**MORNSUN®**

MORNSUN Guangzhou Science & Technology Co., Ltd.

2023.04.11-A/9 Page 2 of 8

MORNSUN Guangzhou Science & Technology Co., Ltd. reserves the copyright and right of final interpretation

# AC/DC 450W Enclosed Switching Power Supply

## LOF450-20Bxx-C(-CF) Series

**MORNSUN®**

	48V		≤60.0V			
	54V		≤63.0V			
Over-temperature Protection			Output voltage turn off, auto recover after the temperature drops			
Fan Power*			Offer output power of 12V/0.5A			
PS_ON Input Signal*	Power on	PS_ON high	2	--	5	V
	Power off	PS_ON low	0	--	0.5	
PG Signal*	Power on	The PG signal goes high with 10ms to 500ms delay after power set up	10	--	500	ms
	Power off/Power fail	The TTL signal goes low at least 1ms before output below 90% of rated value	1	--	--	
	High level	High	2	--	6	V
	Low level	Low	0	--	0.6	
Remote Sense*	When RS+ and RS- are connected to the system, with function of remote voltage compensation, if not needed, left RS+ and RS- open					
5V Standby	5Vsb: The load capacity is 0.6A without fan, the load capacity is 1A with fan 25CFM; tolerance 2%, ripple: 120mVp-p (max.)					

Note: 1.\*Output Voltage Accuracy: including setting error, line regulation, load regulation;

2.\*The "Tip and barrel method" is used for ripple and noise test, output parallel 47uF electrolytic capacitor (Low ESR) and 0.1uF ceramic capacitor, please refer to AC-DC Converter Application Notes for specific information;

3.\*For fan power connection method, please refer to 5, 6 in the external dimension drawing;

4.\*For PS\_ON, 5V standby connection method, please refer to CN6 in the external dimension drawing;

5.\*For PG standby connection method, please refer to CN2 in the external dimension drawing;

6.\*For all the above test items, please refer to our company standard "AC-DC Black Box Test Specification" for specific test specifications and methods;

### General Specifications

Item	Operating Conditions		Min.	Typ.	Max.	Unit		
Isolation Test	Input - output	Electric strength test for 1min. leakage current <5mA	4000	--	--	VAC		
	Input - ⊕		2000	--	--			
	Output - ⊕		1500	--	--			
Insulation Resistance	Input - output	Environment temperature: 25±5℃, Relative humidity: <95%RH, non-condensing Testing voltage: 500VDC	100	--	--	MΩ		
	Input - ⊕		100	--	--			
	Output - ⊕		100	--	--			
Isolation level	Input - output		2 x MOPP					
	Input - ⊕		1 x MOPP					
	Output - ⊕		1 x MOPP					
Operating Temperature		-40	--	+70	℃			
Storage Temperature		-40	--	+85				
Storage Humidity	Non-condensing		10	--	95	%RH		
Operating Humidity			20	--	90			
Power Derating	Operating temperature derating	LOF450-20B12/15-CF	+50℃ to +70℃	3.15	--	--	% / ℃	
		LOF450-20B24/27/36/48-CF	+50℃ to +70℃	3.35	--	--		
		25CFM	LOF450-20B12/15-C	+50℃ to +70℃	2.5	--		--
			LOF450-20B24/27/36/48-C	+50℃ to +70℃	2.8	--		--
	Air cooling (250W)	115VAC	+40℃ to +60℃	4.5	--	--	W / ℃	
		230VAC	+35℃ to +60℃	4.8	--	--		
Input voltage derating	90VAC - 115VAC		1.0	--	--	% / VAC		
	127VDC - 160VDC		0.76	--	--	% / VDC		
Safety Standard	12V/15V/24V/48V		UL62368-1, ES60601-1, IEC60601-1 safety approved & EN/BS EN62368-1, EN/BS EN60601-1(Report) Design refer to IEC62368-1, ES60601-1, GB4943.1, EN60335-1					

**MORNSUN®**

MORNSUN Guangzhou Science & Technology Co., Ltd.

2023.04.11-A/9 Page 3 of 8

MORNSUN Guangzhou Science & Technology Co., Ltd. reserves the copyright and right of final interpretation

	18V/19V	Design refer to EN/UL/IEC62368-1, GB4943.1, IEC/ES/EN60601-1, EN60335-1 UL62368-1, ES60601-1 safety approved & EN/BS EN62368-1, EN/BS EN60601-1(Report) Design refer to IEC62368-1, GB4943.1, IEC60601-1, EN60335-1 UL62368-1, IEC60601-1 safety approved & EN/BS EN62368-1(Report) Design refer to IEC62368-1, GB4943.1, EN60335-1, EN60601-1
	27V/36V	
	54V	
Safety Class		CLASS I
MTBF	MIL-HDBK-217F@25°C	>200,000 h

### Mechanical Specifications

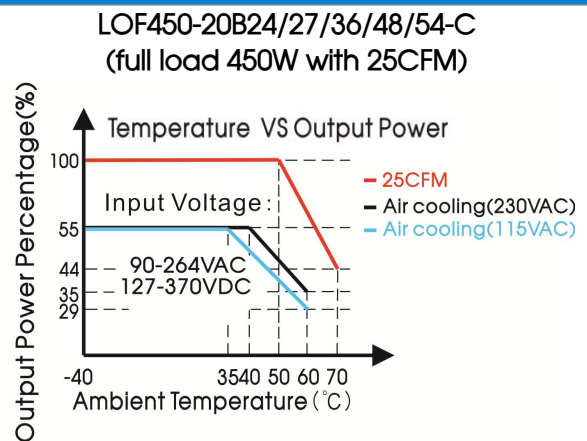
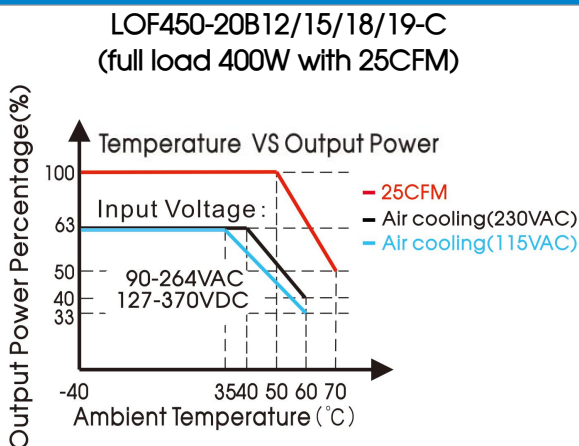
Case Material	Metal (AL5052, SUS304)		
Dimension	130.00mm x 86.00mm x 43.00mm	LOF450-20Bxx-C series	160.00mm x 86.00mm x 43.00mm
			LOF450-20Bxx-CF series
Weight	605g (Typ.)	LOF450-20Bxx-C series	645g (Typ.)
			LOF450-20Bxx-CF series
Cooling Method*	Air cooling (250W) / 25CFM (400W/450W)		
Note: *Cooling method and power derating refer to typical characteristic curves.			

### Electromagnetic Compatibility (EMC)\*

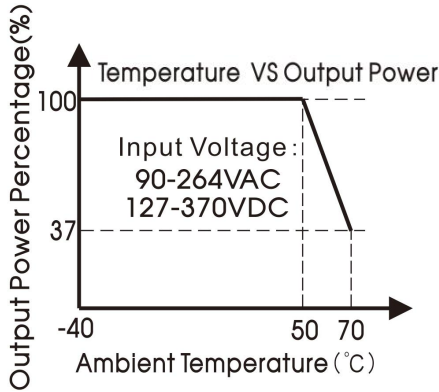
Emissions	CE	EN55032(CISPR32)/EN55011(CISPR11) CLASS B		
	RE	EN55032(CISPR32)/EN55011(CISPR11) CLASS B		
	Harmonic current	IEC/EN61000-3-2 CLASS A and CLASS D		
	Flicker	IEC/EN61000-3-3		
Immunity	ESD	IEC/EN61000-4-2	Contact ±8KV/Air ±15KV	perf. Criteria A
	RS	IEC/EN61000-4-3	10V/m	perf. Criteria A
	EFT	IEC/EN61000-4-4	±2KV	perf. Criteria A
	Surge	IEC/EN61000-4-5	line to line ±2KV, line to ground ±4KV	perf. Criteria A
	CS	IEC/EN61000-4-6	10Vr.m.s	perf. Criteria A
	Voltage dips, short interruptions and voltage variations immunity	IEC/EN61000-4-11	0%, 70%	Perf. Criteria B

Note: \*The power supply should be considered as a part of the components in the system. All EMC performance are been tested on a metal plate with a thickness of 1mm and a length of 360mm x 360mm. The power supply must be combined with the terminal equipment for electromagnetic compatibility confirmation.

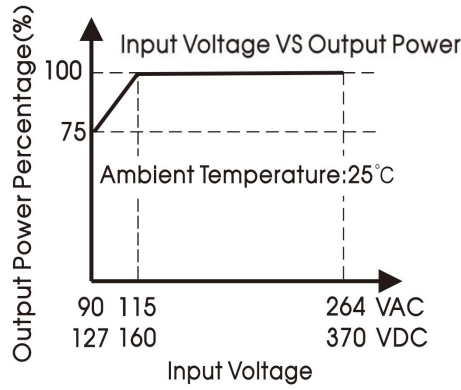
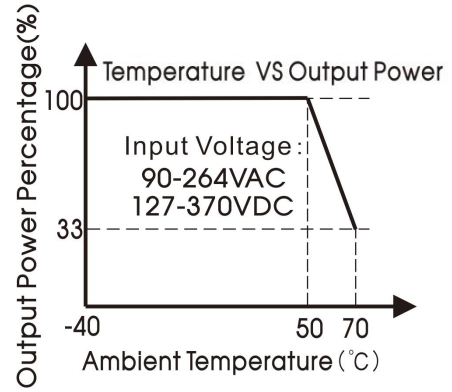
### Product Characteristic Curve



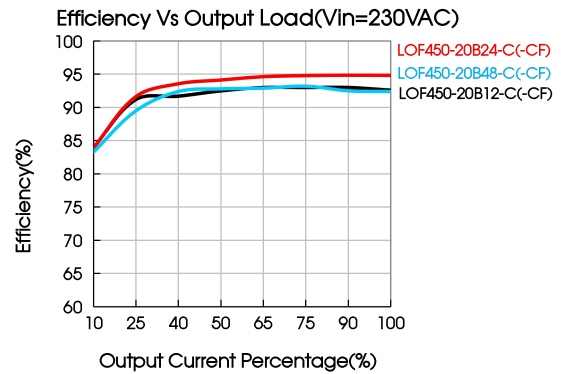
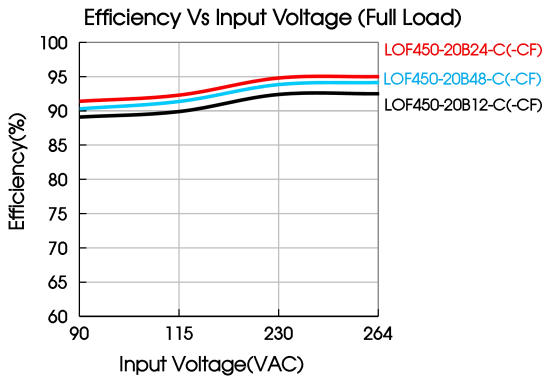
LOF450-20B12/15/18/19-CF  
 (full load 400W with 25CFM)



LOF450-20B24/27/36/48/54-CF  
 (full load 450W with 25CFM)



Note: With an AC input voltage between 90 - 115VAC and a DC input between 127 - 160VDC the output power must be derated as per the temperature derating curves

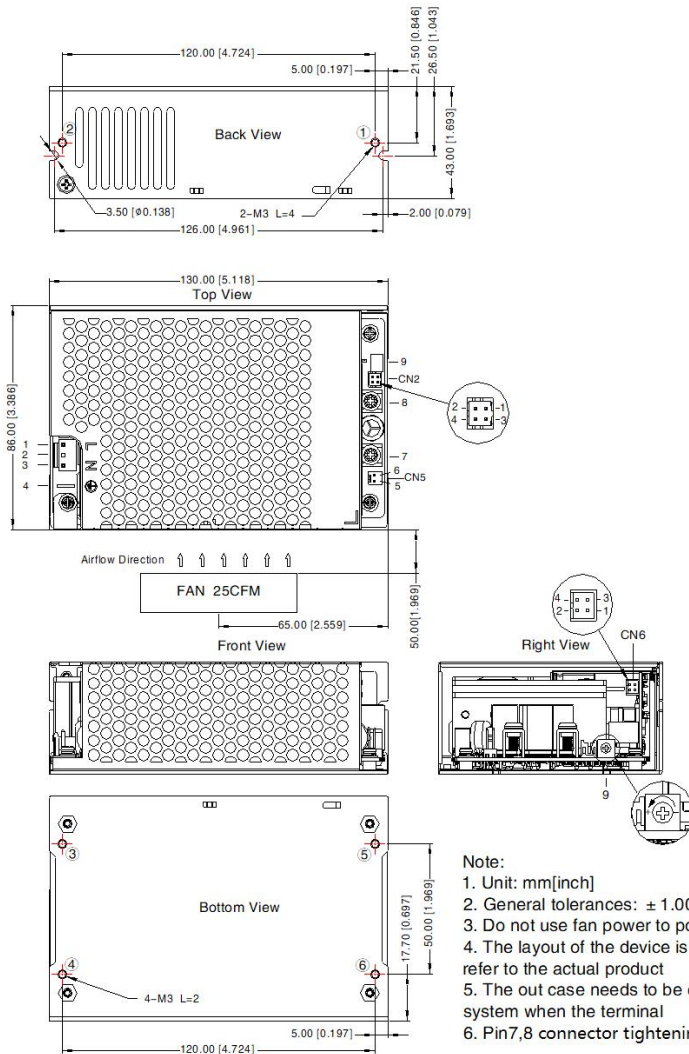




### Dimensions and Recommended Layout

#### LOF450-20Bxx-C Series

THIRD ANGLE PROJECTION



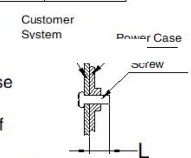
Pin-Out		Customer Connector
Pin	Mark	
1	AC(L)	Housing: JST VHR Contact: JST SVH-21T-P1.1 or PJA-016(Mornsun Accessory)
2	NC	
3	AC(N)	
4	⊕	Contact: JST SPS-21T-250
5	FAN+	CN5: Fan power output port Housing: TKP 2502 or Molex0511910200 or equivalent Contact: TKP 54T or Molex0508028100 or equivalent
6	FAN-	
7	+Vo	
8	-Vo	
9	ADJ Output adjustable resistor	

Pin-Out		Customer Connector
4	3	CN6: PS_ON signal input port(3-4) 5VDC Standby output(1-2)
2	1	
Pin	Mark	
1	+5V	Housing: TKP DH2-4P or HRS DF11-4DS-2C or equivalent
2	GND	
3	PS-ON	Contact: TKP DHT or HRS DF11-225C or equivalent
4	GND	

Pin-Out		Customer Connector
2	1	CN2: Remote sensing signal input port(1-2) PG signal(3-4)
4	3	
Pin	Mark	
1	RS-	Housing: TKP DH2-4P or HRS DF11-4DS-2C or equivalent
2	RS+	
3	GND	Contact: TKP DHT or HRS DF11-225C or equivalent
4	PG	

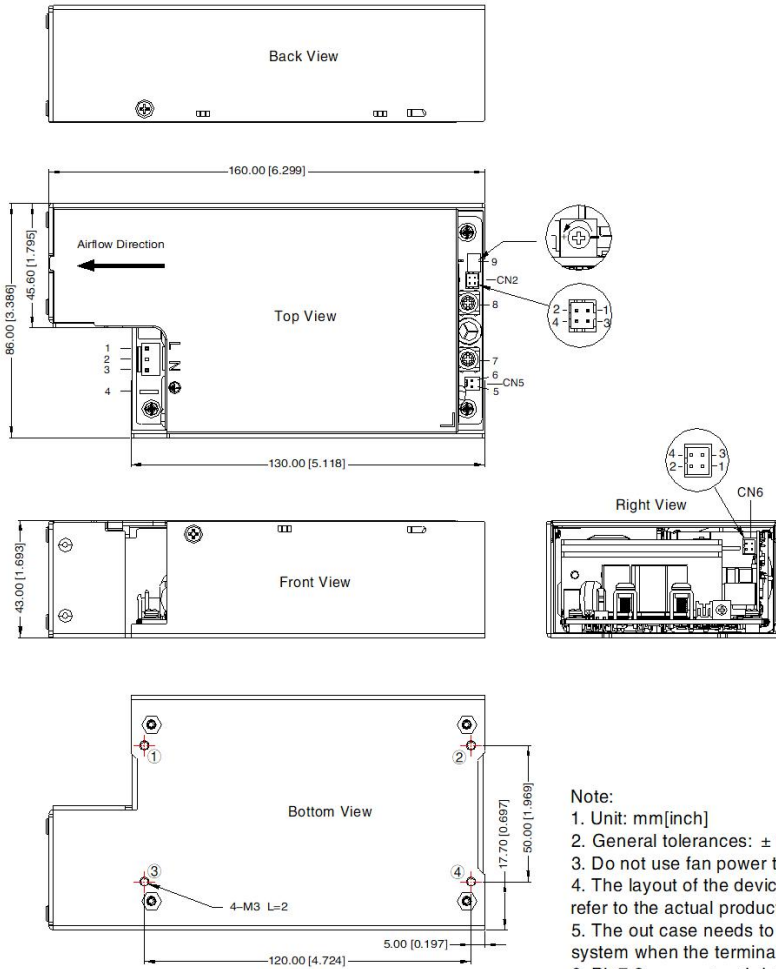
Position	Screw Spec.	L(max)	Torque(max)
①-②	M3	4mm	0.4N·m
③-⑤	M3	2mm	0.4N·m

- Note:
- Unit: mm[inch]
  - General tolerances:  $\pm 1.00[\pm 0.039]$
  - Do not use fan power to power other devices.
  - The layout of the device is for reference only, please refer to the actual product
  - The out case needs to be connected to the earth of system when the terminal
  - Pin7,8 connector tightening torque: M4, 1.2N·m(max)



### LOF450-20Bxx-CF Series

THIRD ANGLE PROJECTION



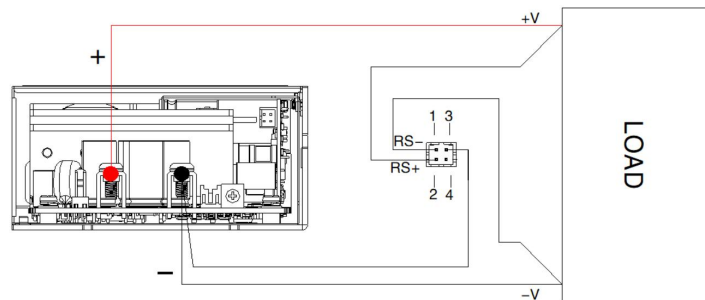
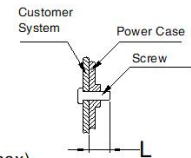
Pin-Out		Customer Connector
Pin	Mark	Housing: JST VHR Contact: JST SVH-21T-P1.1 or PJA-017(Mornsun Accessory)
1	AC(L)	
2	NC	
3	AC(N)	
4		CN5: Fan power output port Housing: TKP 2502 or equivalent Contact: TKP 8811 or equivalent
5	FAN+	
6	FAN-	
7	+Vo	
8	-Vo	
9	ADJ	Output adjustable resistor

Pin-Out		Customer Connector
Pin	Mark	Housing: JST PHD-2*2Y or HRS DF11-4DS-2C or equivalent Contact: JST PHD-TE or HRS DF11-225C or equivalent
1	+5V	
2	GND	
3	PS-ON	
4	GND	

Pin-Out		Customer Connector
Pin	Mark	Housing: JST PHD-2*2Y or HRS DF11-4DS-2C or equivalent Contact: JST PHD-TE or HRS DF11-225C or equivalent
1	RS-	
2	RS+	
3	GND	
4	PG	

Position	Screw Spec.	L(max)	Torque(max)
①-④	M3	2mm	0.4N·m

- Note:**
- Unit: mm[inch]
  - General tolerances:  $\pm 1.00[\pm 0.039]$
  - Do not use fan power to power other devices
  - The layout of the device is for reference only, please refer to the actual product
  - The out case needs to be connected to the earth of system when the terminal
  - Pin7,8 connector tightening torque: M4, 1.2N·m(max)



Remote sensing function wiring diagram

- Note:**
- RS - and RS + cannot be shorted or reversed, otherwise the power module will be damaged;
  - The remote compensation function can compensate the voltage drop on the output cable, which includes the sum of the cable drop connected to the output positive terminal and the output negative terminal;
  - If you need to use remote compensation function, the signal pin needs to be connected with the load and with a twisted pair.
  - The PJA-XXX series is the accessories of products, quotation is available.

Note:

1. For additional information on Product Packaging please refer to [www.mornsun-power.com](http://www.mornsun-power.com). Packaging bag number: 58220219(LOF450-20Bxx-C); 58220220(LOF450-20Bxx-CF) ;
2. Unless otherwise specified, parameters in this datasheet were measured under the conditions of  $T_a=25^{\circ}\text{C}$ , humidity <75%RH with nominal input voltage and rated output load;
3. All index testing methods in this datasheet are based on our company corporate standards;
4. In order to improve the efficiency,there will be audible noise generated when working at light load, but it does not affect product performance and reliability;
5. We can provide product customization service, please contact our technicians directly for specific information;
6. Products are related to laws and regulations: see "Features" and "EMC";
7. The out case needs to be connected to PE ( $\oplus$ ) of system when the terminal equipment in operating;
8. CAUTION: Double pole, neutral fusing. Disconnect mains before servicing." / "ATTENTION: Double pôle/fusible sur le neutre. Débrancher l'alimentation avant l'entretien;
9. Our products shall be classified according to ISO14001 and related environmental laws and regulations, and shall be handled by qualified units;
10. The power supply is considered a component which will be installed into a terminal equipment. All EMC tests should be confirmed with the final equipment. Please consult our FAE for EMC test operation instructions.

Mornsun Guangzhou Science & Technology Co., Ltd.

Address: No. 5, Kehui St. 1, Kehui Development Center, Science Ave., Guangzhou Science City, Huangpu District, Guangzhou, P. R. China  
Tel: 86-20-38601850 Fax: 86-20-38601272 E-mail: [info@mornsun.cn](mailto:info@mornsun.cn) [www.mornsun-power.com](http://www.mornsun-power.com)