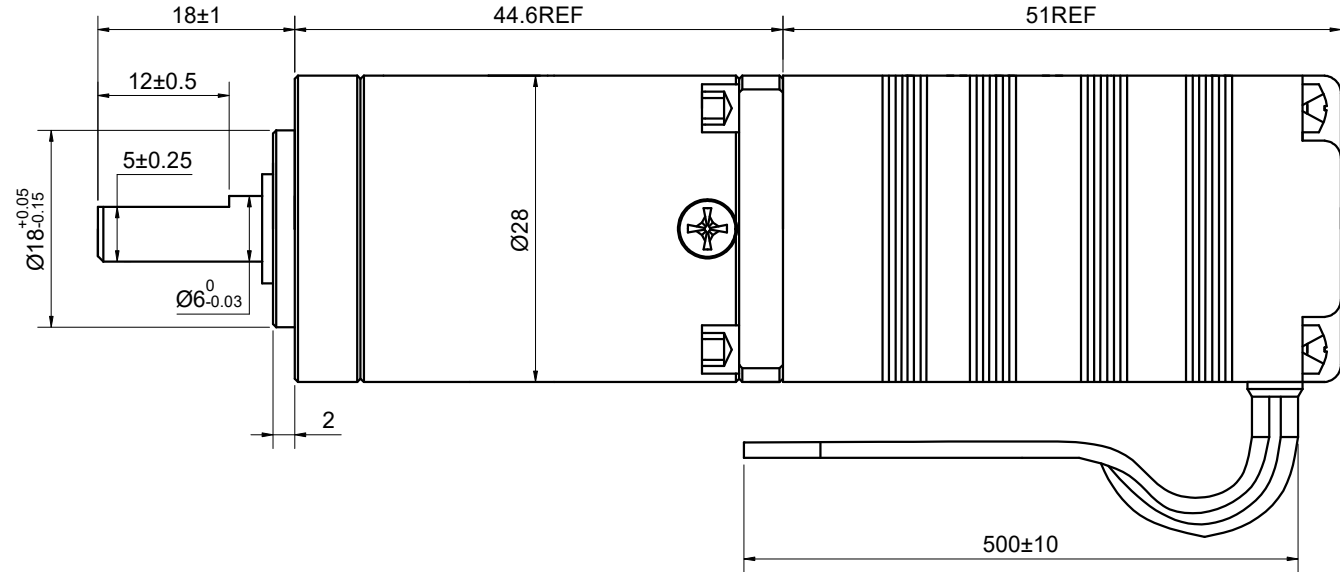
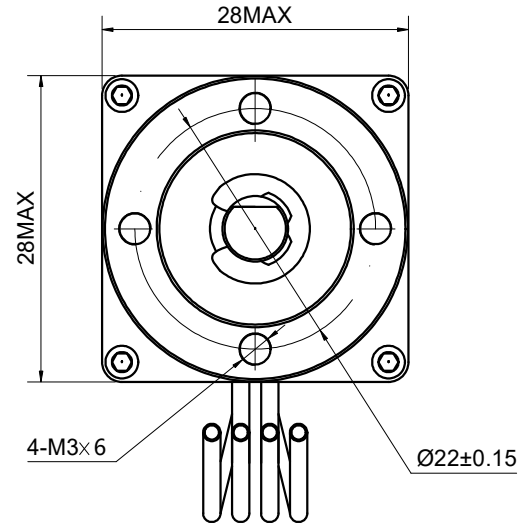


MODEL NO. 11HS20-0674S-PG100 DWG NO. A0130

REV.	REVISION RECORD	BY	DATE
0	ORIGIN	LDJ	8.25.2023

CUSTOMER'S MODEL: NO MODEL
END COVER COLOR: BLACK



SPECIFICATION	CONNECTION	BIPOLAR
AMPS/PHASE		0.67
RESISTANCE/PHASE(Ohms)@25°C		12.00±10%
INDUCTANCE/PHASE(mH)@1KHz		6.50±20%
HOLDING TORQUE w/o GEARBOX(Nm)[lb-in]		0.14[1.24]
STEP ANGLE w/o GEARBOX(°)		1.80
GEAR RATIO		99.548
GEAR EFFICIENCY		70%
BACKLASH@NO-LOAD		<=3°
MAX.PERMISSIBLE TORQUE(Nm)		3
MOMENT PERMISSIBLE TORQUE(Nm)		5
AMBIENT TEMPERATURE		-10°C~50°C[14°F~122°F]
INSULATION CLASS		B 130°C[266°F]
TEMPERATURE RISE		MAX.80°C

COMMENT:

- 1.DYNAMIC AXIAL LOAD: 50N MAX
- 2.DYNAMIC RADIAL LOAD @ SHAFT LENGTH 20mm: 100N MAX
- 3.TMBF 6000h OR MORE @ 24V/300RPM
- 4.INSULATION RESISTANCE (NORMAL TEMPERATURE AND HUMIDITY): 100 Mohm
- 5.DIELECTRIC STRENGTH 500VAC FOR 1MIN.(BETWEEN THE MOTOR COILS AND THE MOTOR CASE)

MOTOR CONNECTION			
PIN NO	BIPOLAR	LEADS	WINDING
1	A+	BLK	
2	A-	GRN	
3	B+	RED	
4	B-	BLU	

FULL STEP 2 PHASE-Ex.,WHEN FACING MOUNTING END (X)					CCW	CW	DIMENSIONS ARE IN MILLIMETERS. TOLERANCES AS BELOW: DECIMALS ANGLES X ±0.5 ±2° X.X ±0.25 X.XX ±0.13
STEP	A+	B+	A-	B-			
1	+	+	-	-			
2	-	+	+	-			
3	-	-	+	+			
4	+	-	-	+			

STEPPERONLINE®

STEPPER MOTOR

11HS20-0674S-PG100

THIS DOCUMENT SHALL NOT BE REPRODUCED NOR SHALL THE INFORMATION CONTAINED HEREIN BE USED BY OR DISCLOSED TO OTHERS UNLESS EXPRESSLY AUTHORIZED IN BY WRITING STEPPERONLINE.

SIGNATURE		DATE
DRN	LDJ	8.25.2023
APVD	YSX	8.25.2023

REV.	0	SCALE	1:1	DWG NO.	A0130
------	---	-------	-----	---------	-------