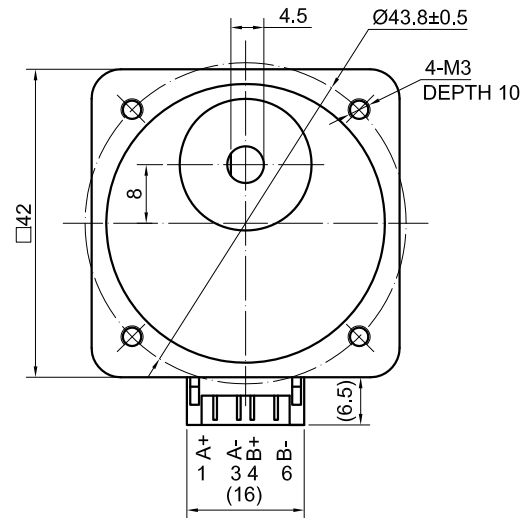
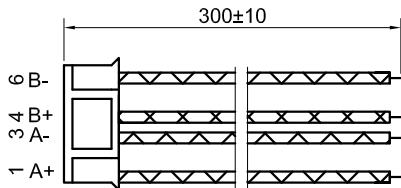
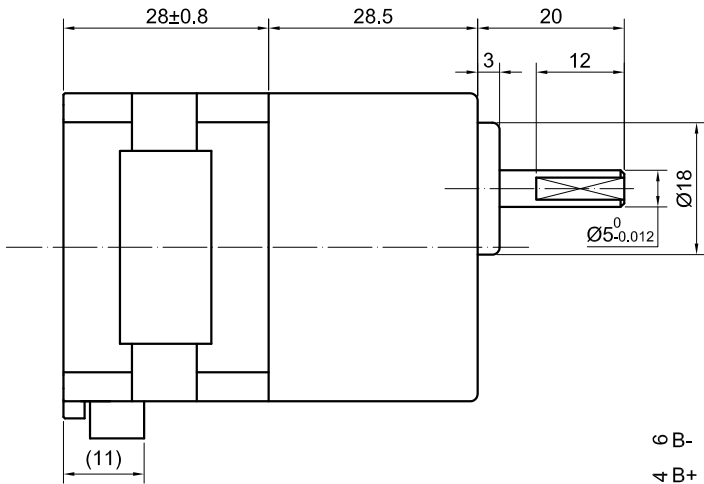


MOTOR (w/o GEARBOX) END COVER COLOR : BLACK

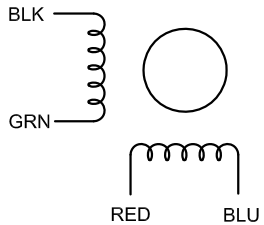


SPECIFICATION	CONNECTION	BIPOLAR
AMPS/PHASE		0.70
RESISTANCE/PHASE(Ohms)@25°C		4.20±10%
INDUCTANCE/PHASE(mH)@1KHz		5.50±20%
HOLDING TORQUE(Nm)[lb-in]		0.13[1.15]
GEAR RATIO		50
EFFICIENCY		90.00%
STEP ANGLE w/o GEARBOX(°)		1.80
MAX. PERMISSIBLE TORQUE(Nm)		0.44
GEARBOX SHAFT OUTPUT ROTATION DIRECTION		SAME AS MOTOR (w/o GEARBOX)
WEIGHT(Kg)[lb]		—
INSULATION RESISTANCE 100 Mohm (UNDER NORMAL TEMPERATURE AND HUMIDITY)		
TEMPERATURE RISE:MAX.80°C (MOTOR STANDSTILL;FOR 2PHASE ENERGIZED)		
AMBIENT TEMPERATURE -10°C~50°C[14°F~122°F]		
INSULATION CLASS B 130°C[266°F]		
DIELECTRIC STRENGTH 500VAC FOR 1MIN.(BETWEEN THE MOTOR COILS AND THE MOTOR CASE)		

TYPE OF CONNECTION (EXTERN)		MOTOR	
PIN NO	BIPOLAR	LEADS	WINDING
	A+ —	BLK	A+ —
	A- —	GRN	A- —
	B+ —	RED	B+ —
	B- —	BLU	B- —

FULL STEP 2 PHASE-Ex.(w/o GEARBOX), WHEN FACING MOUNTING END (X)

STEP	A+	B+	A-	B-		CCW
1	+	+	-	-	↓	↑
2	-	+	+	-		
3	-	-	+	+	↑	↓
4	+	-	-	+		



STEPPERONLINE®

APVD		12.24.2021
CHKD		
1:1	DRN	
SCALE	SIGNATURE	DATE

STEPPER MOTOR

17HS11-0704S-SG50