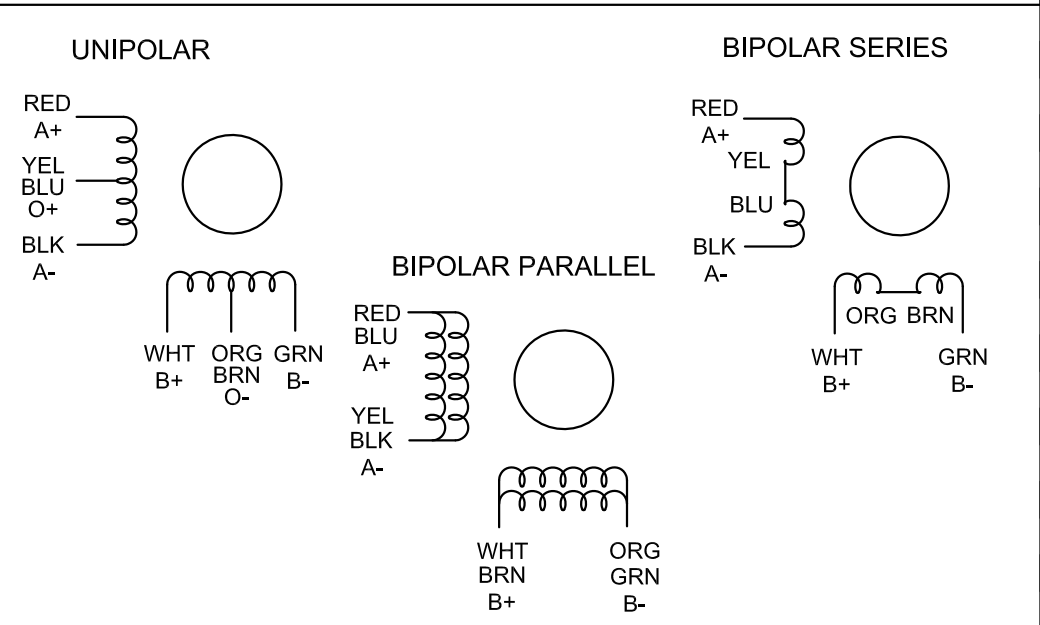


SPECIFICATION	CONNECTION	UNIPOLAR	BIPOLAR (SERIAL)	BIPOLAR (PARALLEL)
AMPS/PHASE		2.80	2.00	4.00
RESISTANCE/PHASE(Ohms)@25°C		1.40±10%	2.80±10%	0.70±10%
INDUCTANCE/PHASE(mH)@1KHz		3.00±20%	12.00±20%	3.00±20%
HOLDING TORQUE(Nm)[lb-in]		2.48[21.97]	3.40[30.12]	3.40[30.12]
STEP ANGLE(°)		1.80		
STEP ACCURACY(NON-ACCUM)		±5.00%		
ROTOR INERTIA(g-cm ²)		980.00		
WEIGHT(Kg)[lb]		—		
TEMPERATURE RISE:MAX.80°C (MOTOR STANDSTILL;FOR 2PHASE ENERGIZED)				
AMBIENT TEMPERATURE -10°C~50°C[14°F~122°F]				
INSULATION RESISTANCE 100 Mohm (UNDER NORMAL TEMPERATURE AND HUMIDITY)				
INSULATION CLASS B 130°C[266°F]				
DIELECTRIC STRENGTH 500VAC FOR 1MIN.(BETWEEN THE MOTOR COILS AND THE MOTOR CASE)				
AMBIENT HUMIDITY MAX.85%(NO CONDENSATION)				



STEPPERONLINE®

APVD		10.30.2020
CHKD		
1:1.5	DRN	
SCALE	SIGNATURE	DATE

STEPPER MOTOR

24HS39-3008D