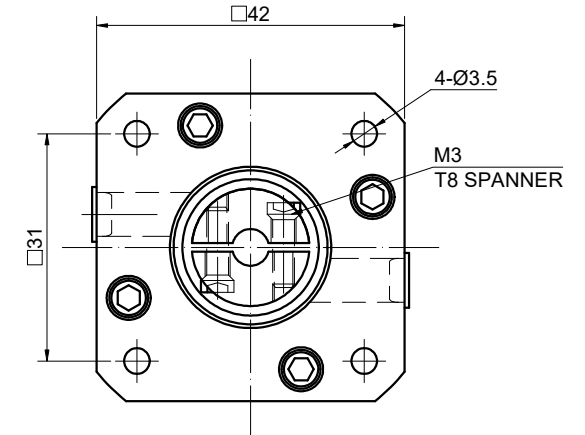
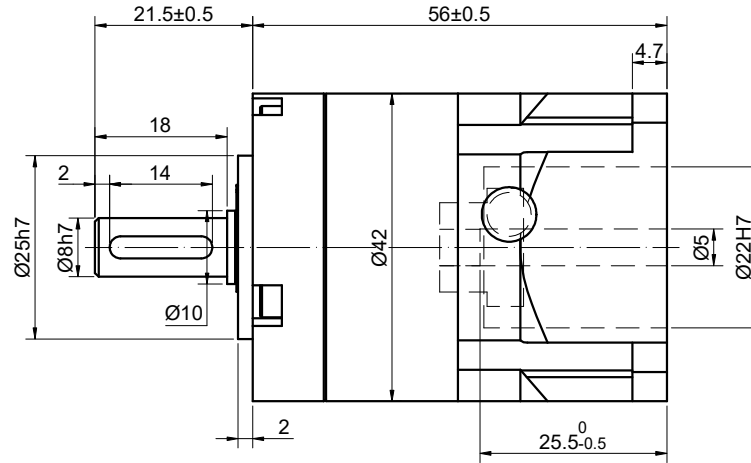
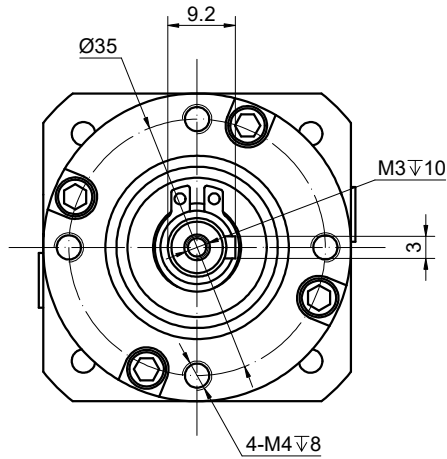


REV.	REVISION RECORD	BY	DATE
0	ORIGIN	HW	3.8.2024



SPECIFICATION	CONNECTION	VALUE
GEAR RATIO		5
EFFICIENCY		96%
BACKLASH@NO-LOAD(arcmin)		<=15
MAX.PERMISSIBLE TORQUE(Nm)[lb-in]		9.00[79.66]
MOMENT PERMISSIBLE TORQUE(Nm)[lb-in]		18.00[159.31]
SHAFT MAXIMUM AXIAL LOAD(N)		100
SHAFT MAXIMUM RADIAL LOAD(N)		300
GEARBOX MATCHING MOTOR'S INPUT SHAFT LENGTH (mm)		21.5-25
RATED INPUT SPEED(RPM)		3000
MAX. INPUT SPEED(RPM)		6000
NOISE(dB)		<=65
WATERPROOF RATING		IP54
LIFE(h)		20000
WORKING TEMPERATURE		-20°C~150°C[-4°F~302°F]

DIMENSIONS ARE IN MILLIMETERS.
 TOLERANCES AS BELOW:
 DECIMALS ANGLES
 X ±0.5 ±2°
 X.X ±0.25
 X.XX ±0.13

THIRD ANGLE PROJECTION		
SIGNATURE		DATE
DRN	HW	3.8.2024
APVD	LDJ	3.8.2024

STEPPERONLINE®

PLANETARY GEARBOX

EG17-G5

REV.	0	SCALE	2:3	DWG NO.	A1773
------	---	-------	-----	---------	-------