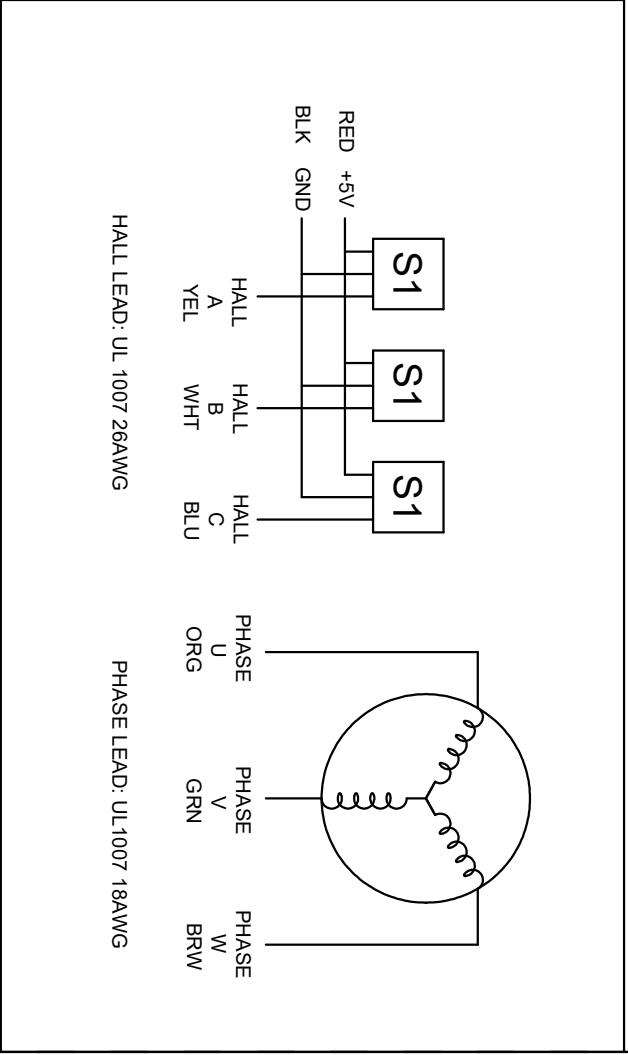


SPECIFICATION	VALUE
NO. of PHASES	3
NO. of POLES	4
RATED VOLTAGE(V)	24
RATED CURRENT(A)	5±10%
RATED POWER(W)	84
RATED SPEED w/o GEARBOX(RPM)	3500±10%
RATED TORQUE(N.m)	14.95
GEAR RATIO	100
EFFICIENCY	65.00%
MAX. PERMISSIBLE TORQUE(N.m)[lb-in]	25[22.1.27]
BACKLASH@NO-LOAD(°)	2.4
SENSOR	HALL SENSOR
INSULATION CLASS	CLASS B
INSULATION RESISTANCE	100MΩ MIN @ 500VDC
DIELECTRIC STRENGTH TEST	500VAC for 1 MINUTE
BEARING TYPE	NMB BALL BEARING. C3



		APVD		<b>BRUSHLESS DC MOTOR</b>
		CHKD		
SCALE	1.5 : 1	DRN	12.8.2023	57BLR50-24-01-HG100
		SIGNATURE	DATE	