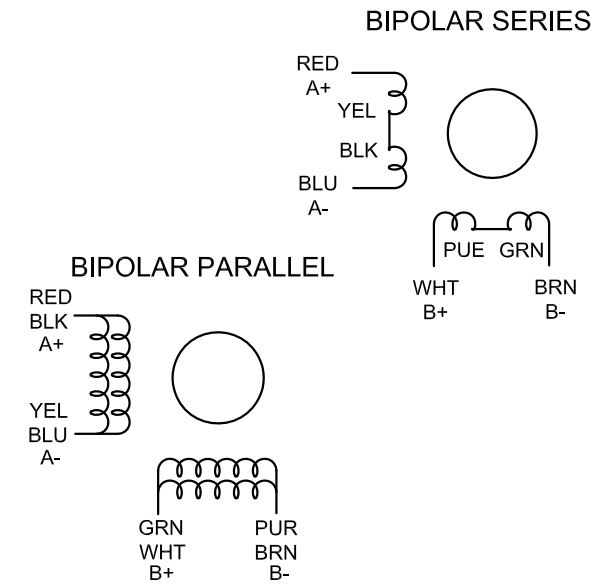
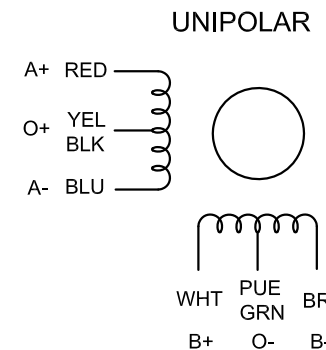


SPECIFICATION	CONNECTION		
	UNIPOLAR	BIPOLAR (SERIAL)	BIPOLAR (PARALLEL)
AMPS/PHASE	3.00	2.12	4.24
RESISTANCE/PHASE(Ohms)@25°C	0.75±10%	1.50±10%	0.38±10%
INDUCTANCE/PHASE(mH)@1KHz	1.10±20%	4.40±20%	1.10±20%
HOLDING TORQUE(Nm)[lb-in]	0.90[7.97]	1.26[11.15]	1.26[11.15]
STEP ANGLE(°)	1.80		
STEP ACCURACY(NON-ACCUM)	±5.00%		
ROTOR INERTIA(g-cm ²)	300.00		
WEIGHT(Kg)[lb]	—		
TEMPERATURE RISE:MAX.80°C (MOTOR STANDSTILL;FOR 2PHASE ENERGIZED)			
AMBIENT TEMPERATURE -10°C~50°C[14°F~122°F]			
INSULATION RESISTANCE 100 Mohm (UNDER NORMAL TEMPERATURE AND HUMIDITY)			
INSULATION CLASS B 130°C[266°F]			
DIELECTRIC STRENGTH 500VAC FOR 1MIN.(BETWEEN THE MOTOR COILS AND THE MOTOR CASE)			
AMBIENT HUMIDITY MAX.85%(NO CONDENSATION)			



APVD		10.30.2020
CHKD		
1:1.5	DRN	
SCALE	SIGNATURE	DATE

STEPPER MOTOR

23HS22-3008D