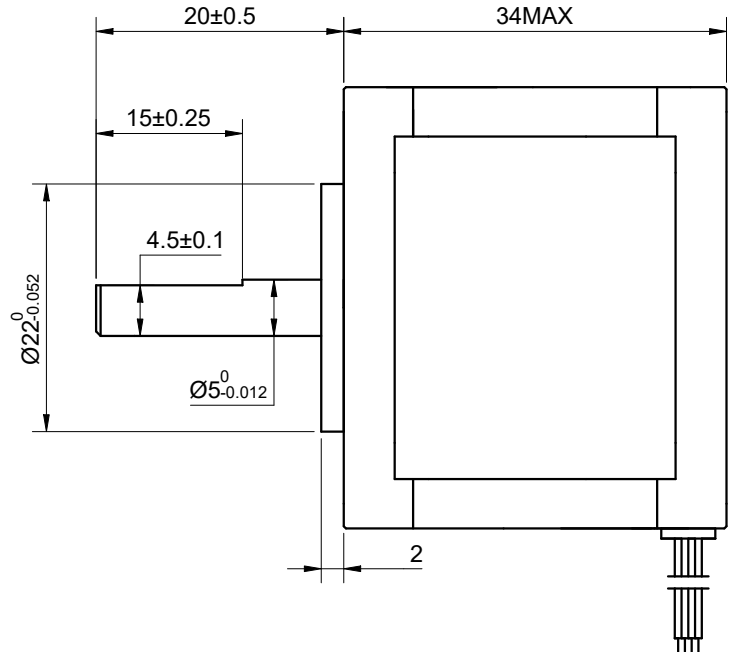
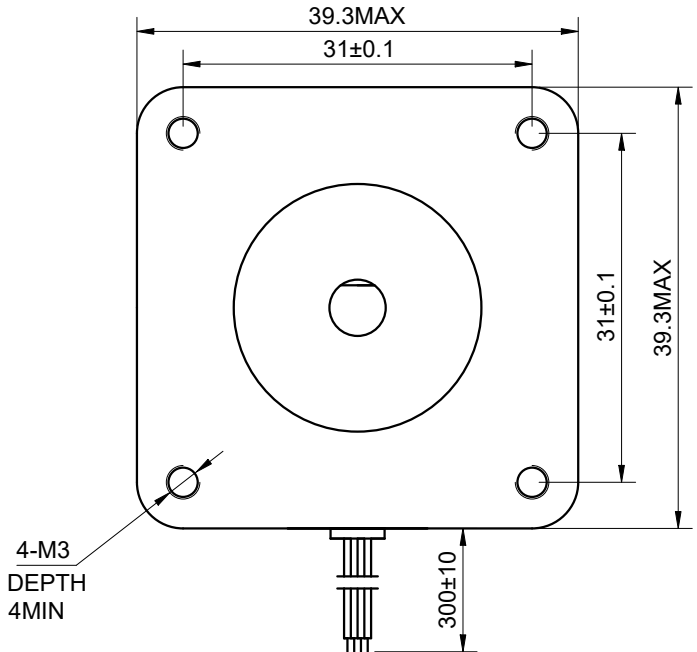


CUSTOMER'S MODEL: NO MODEL  
 END COVER COLOR: BLACK

REV.	REVISION RECORD	BY	DATE
0	ORIGIN	MYX	9.26.2025



CONNECTION	BIPOLAR
SPECIFICATION	BIPOLAR
AMPS/PHASE	0.65
RESISTANCE/PHASE(Ohms)@25°C	7.00±10%
INDUCTANCE/PHASE(mH)@1KHz	9.30±20%
HOLDING TORQUE(Nm)[lb-in]	0.18[1.59]
STEP ANGLE(°)	1.80
STEP ACCURACY(NON-ACCUM)	±5.00%
ROTOR INERTIA(g-cm <sup>2</sup> )	---
WEIGHT(Kg)[lb]	---
AMBIENT TEMPERATURE	-10°C~50°C[14°F~122°F]
INSULATION CLASS	B 130°C[266°F]
TEMPERATURE RISE	MAX.80°C

COMMENT:  
 1.TMBF 6000h OR MORE @ 24V/300RPM  
 2.INSULATION RESISTANCE (NORMAL TEMPERATURE AND HUMIDITY): 100 Mohm  
 3.DIELECTRIC STRENGTH 500VAC FOR 1MIN.(BETWEEN THE MOTOR COILS AND THE MOTOR CASE )

STEPPER MOTOR  
 16HS13-0654S  
 S/N: XXXXXXXXXXXXX



MOTOR CONNECTION			
PIN NO	BIPOLAR	LEADS	WINDING
1	A+	BLK	
2	A-	GRN	
3	B+	RED	
4	B-	BLU	

FULL STEP 2 PHASE-Ex.,WHEN FACING MOUNTING END (X) STEP    A+    B+    A-    B- 1        +        +        -        - 2        -        +        +        - 3        -        -        +        + 4        +        -        -        +	CCW  CW 	DIMENSIONS ARE IN MILLIMETERS. TOLERANCES AS BELOW: DECIMALS            ANGLES X            ±0.5            ±2° X.X          ±0.25 X.XX        ±0.13	THIRD ANGLE PROJECTION 

**STEPPERONLINE®**

**STEPPER MOTOR**

**16HS13-0654S**

SIGNATURE	DATE
DRN    MYX	9.26.2025
APVD    LDJ	9.26.2025

REV.	0	SCALE	1:1	DWG NO.	A0398
------	---	-------	-----	---------	-------

THIS DOCUMENT SHALL NOT BE REPRODUCED NOR SHALL THE INFORMATION CONTAINED HEREIN BE USED BY OR DISCLOSED TO OTHERS UNLESS EXPRESSLY AUTHORIZED IN BY WRITING STEPPERONLINE.