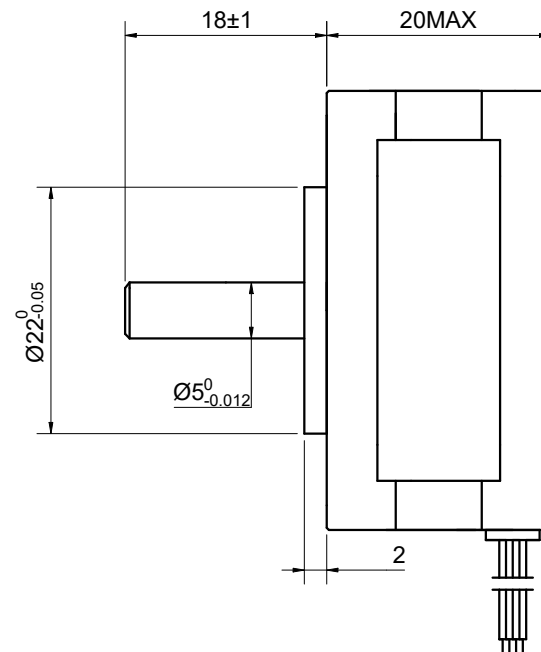
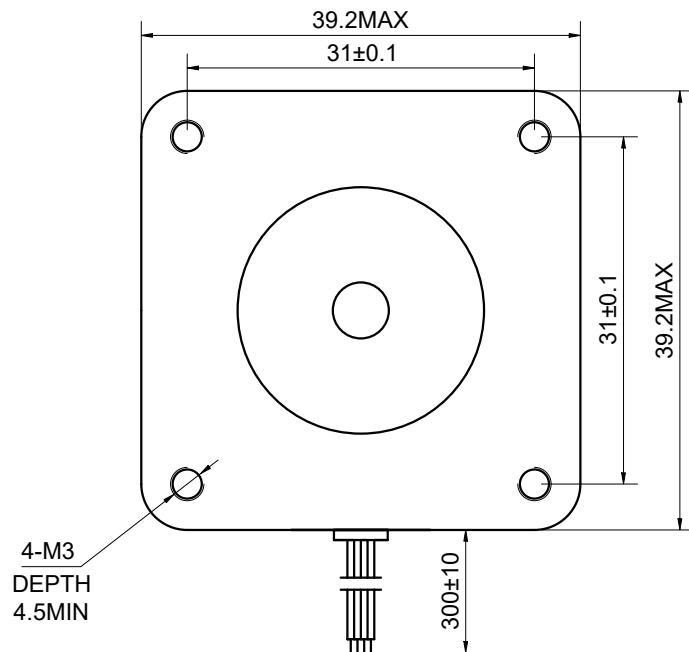


CUSTOMER'S MODEL: NO MODEL
 END COVER COLOR: GREY

REV.	REVISION RECORD	BY	DATE
0	ORIGIN	LJ	7.31.2025



STEPPER MOTOR
 16HS08-0604S
 S/N: XXXXXXXXXXXXX



MOTOR CONNECTION			
PIN NO	BIPOLAR	LEADS	WINDING
1	A+	BLK	
2	A-	GRN	
3	B+	RED	
4	B-	BLU	

SPECIFICATION	CONNECTION	BIPOLAR
AMPS/PHASE		0.60
RESISTANCE/PHASE(Ohms)@25°C		6.60±10%
INDUCTANCE/PHASE(mH)@1KHz		7.50±20%
HOLDING TORQUE(Nm)[lb-in]		0.08[0.77]
STEP ANGLE(°)		1.80
STEP ACCURACY(NON-ACCUM)		±5.00%
ROTOR INERTIA(g-cm ²)		11.00
WEIGHT(Kg)[lb]		—
AMBIENT TEMPERATURE		-10°C~50°C[14°F~122°F]
INSULATION CLASS		B 130°C[266°F]
TEMPERATURE RISE		MAX.80°C

COMMENT:
 TMBF 6000h OR MORE @ 24V/300RPM
 INSULATION RESISTANCE
 (NORMAL TEMPERATURE AND HUMIDITY): 100 Mohm
 DIELECTRIC STRENGTH 500VAC FOR 1MIN.(BETWEEN THE MOTOR COILS
 AND THE MOTOR CASE)

FULL STEP 2 PHASE-Ex.,WHEN FACING MOUNTING END (X)						DIMENSIONS ARE IN MILLIMETERS. TOLERANCES AS BELOW: DECIMALS ANGLES	
STEP	A+	B+	A-	B-		X ±0.5 X.X ±0.25 X.XX ±0.13	±2°
1	+	+	-	-			
2	-	+	+	-	THIRD ANGLE PROJECTION		16HS08-0604S
3	-	-	+	+			
4	+	-	-	+	SIGNATURE DATE		
		DRN LJ		7.31.2025			
		APVD LDJ		7.31.2025		REV.	0
				SCALE	1:1	DWG NO.	A0385

STEPPERONLINE®

STEPPER MOTOR

16HS08-0604S