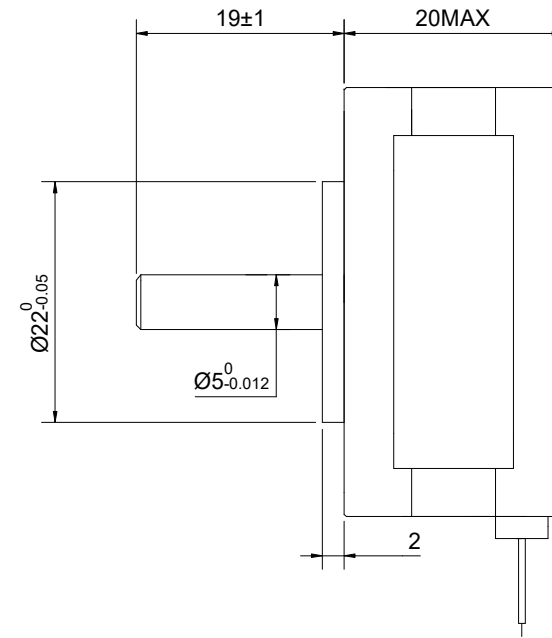
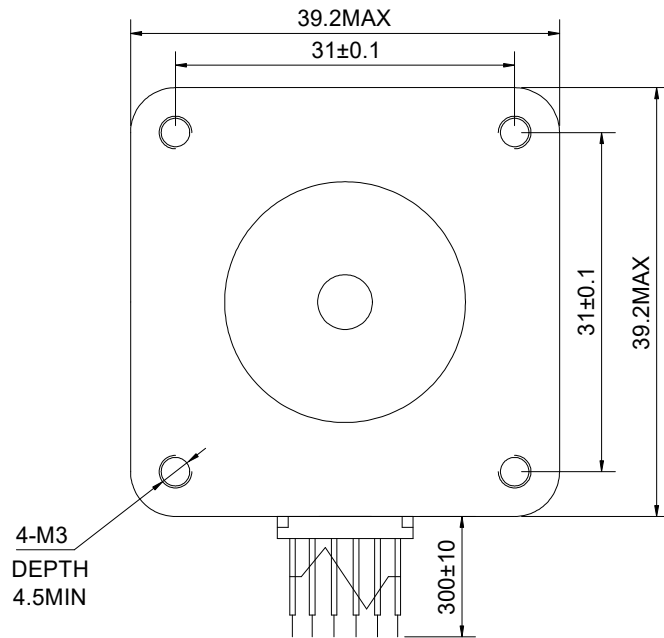


CUSTOMER'S MODEL: NO MODEL
 END COVER COLOR: GREY

REV.	REVISION RECORD	BY	DATE
0	ORIGIN	LJ	7.31.2025



CONNECTION	BIPOLAR
SPECIFICATION	BIPOLAR
AMPS/PHASE	0.50
RESISTANCE/PHASE(Ohms)@25°C	14.00±10%
INDUCTANCE/PHASE(mH)@1KHz	6.40±20%
HOLDING TORQUE(Nm)[lb-in]	0.08[0.71]
STEP ANGLE(°)	1.80
STEP ACCURACY(NON-ACCUM)	±5.00%
ROTOR INERTIA(g-cm²)	11.00
WEIGHT(Kg)[lb]	—
AMBIENT TEMPERATURE	-10°C~50°C[14°F~122°F]
INSULATION CLASS	B 130°C[266°F]
TEMPERATURE RISE	MAX.80°C

COMMENT:
 TMBF 6000h OR MORE @ 24V/300RPM
 INSULATION RESISTANCE
 (NORMAL TEMPERATURE AND HUMIDITY): 100 Mohm
 DIELECTRIC STRENGTH 500VAC FOR 1MIN.(BETWEEN THE MOTOR COILS
 AND THE MOTOR CASE)

STEPPER MOTOR
 16HM08-0506S
 S/N: XXXXXXXXXXXXX



MOTOR CONNECTION			
PIN NO	BIPOLAR	LEADS	WINDING
1	A+	BLK	
2	A-	GRN	
3	B+	RED	
4	B-	BLU	
5	O+	YEL	
6	O-	WHT	

FULL STEP 2 PHASE-Ex.,WHEN FACING MOUNTING END (X)					DIMENSIONS ARE IN MILLIMETERS.	
STEP	A+	B+	A-	B-	CCW	TOLERANCES AS BELOW:
1	+	+	-	-		DECIMALS
2	-	+	+	-		ANGLES
3	-	-	+	+		X ±0.5 ±2°
4	+	-	-	+		X.X ±0.25
						X.XX ±0.13
						THIRD ANGLE PROJECTION

STEPPERONLINE®

STEPPER MOTOR

16HS08-0506S

THIS DOCUMENT SHALL NOT BE REPRODUCED
 NOR SHALL THE INFORMATION CONTAINED
 HEREIN BE USED BY OR DISCLOSED TO
 OTHERS UNLESS EXPRESSLY AUTHORIZED IN
 BY WRITING STEPPERONLINE.

SIGNATURE		DATE
DRN	LJ	7.31.2025
APVD	LDJ	7.31.2025

REV.	0	SCALE	1:1	DWG NO.	A0383
------	---	-------	-----	---------	-------