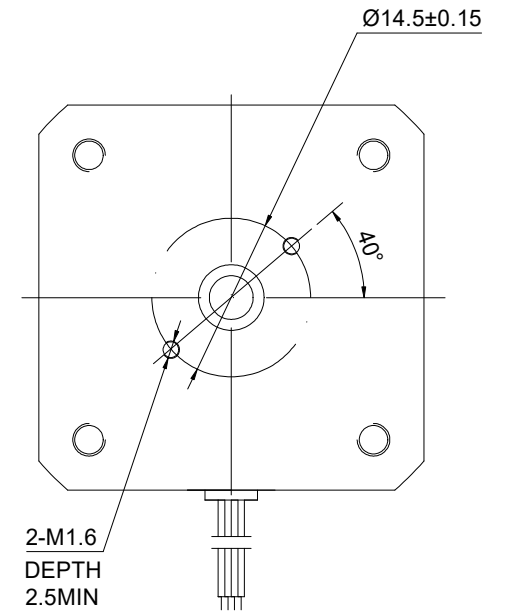
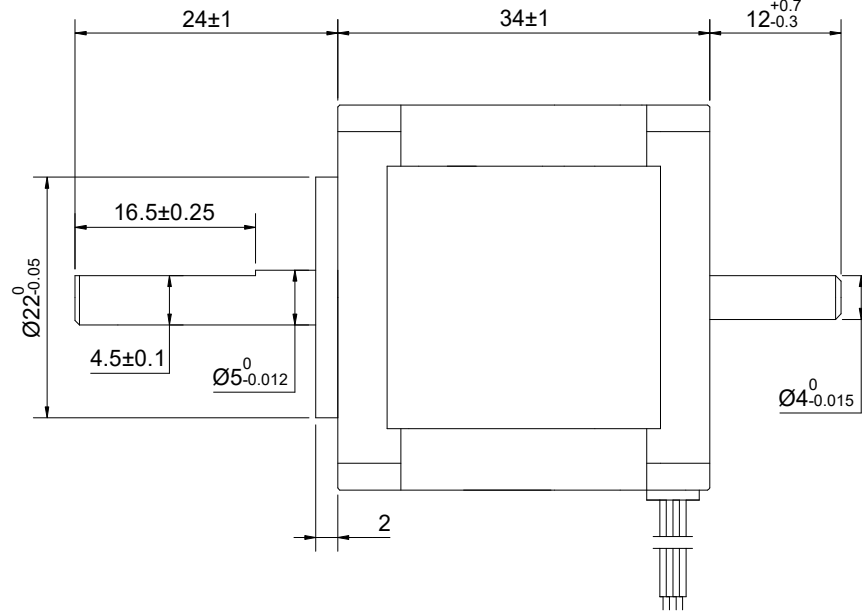
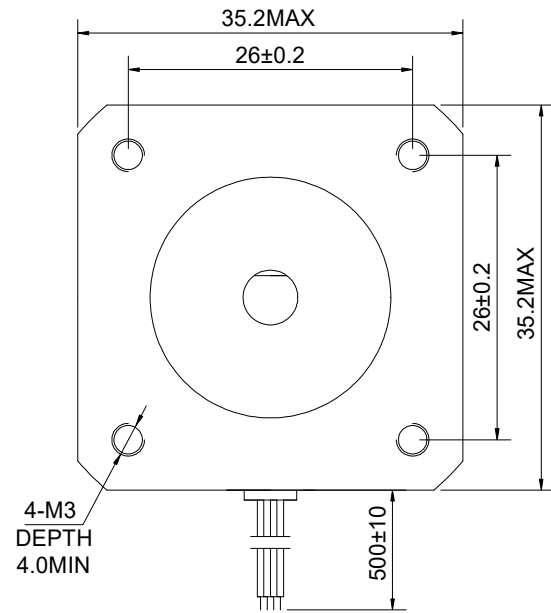


CUSTOMER'S MODEL: NO MODEL
 END COVER COLOR: BLACK

REV.	REVISION RECORD	BY	DATE
0	ORIGIN	YSX	8.1.2025



STEPPER MOTOR
 14HS13-0804D
 S/N: XXXXXXXXXXXXX



CONNECTION	BIPOLAR
SPECIFICATION	BIPOLAR
AMPS/PHASE	0.80
RESISTANCE/PHASE(Ohms)@25°C	6.80±10%
INDUCTANCE/PHASE(mH)@1KHz	10.00±20%
HOLDING TORQUE(Nm)[lb-in]	0.18[1.59]
STEP ANGLE(°)	1.80
STEP ACCURACY(NON-ACCUM)	±5.00%
ROTOR INERTIA(g-cm ²)	14.00
WEIGHT(Kg)[lb]	0.17[0.37]
AMBIENT TEMPERATURE	-10°C~50°C[14°F~122°F]
INSULATION CLASS	B 130°C[266°F]
TEMPERATURE RISE	MAX.80°C

FULL STEP 2 PHASE-Ex., WHEN FACING MOUNTING END (X)

STEP	A+	B+	A-	B-	O(0)
1	+	+			+
2		+	+		+
3			+	+	+
4	+			+	+

↓ CW ↑ CCW

DIMENSIONS ARE IN MILLIMETERS.
 TOLERANCES AS BELOW:
 DECIMALS ANGLES
 X ±0.5 ±2°
 X.X ±0.25
 X.XX ±0.13

THIRD ANGLE PROJECTION

MOTOR CONNECTION			
PIN NO	BIPOLAR	LEADS	WINDING
1	A+	BLK	
2	A -	GRN	
3	B+	RED	
4	B -	BLU	

STEPPERONLINE®

STEPPER MOTOR

14HS13-0804D

REV.	0	SCALE	2:3	DWG NO.	A0281
------	---	-------	-----	---------	-------

THIS DOCUMENT SHALL NOT BE REPRODUCED NOR SHALL THE INFORMATION CONTAINED HEREIN BE USED BY OR DISCLOSED TO OTHERS UNLESS EXPRESSLY AUTHORIZED IN BY WRITING STEPPERONLINE.		SIGNATURE	DATE
DRN	YSX	8.1.2025	
APVD	LJ	8.1.2025	