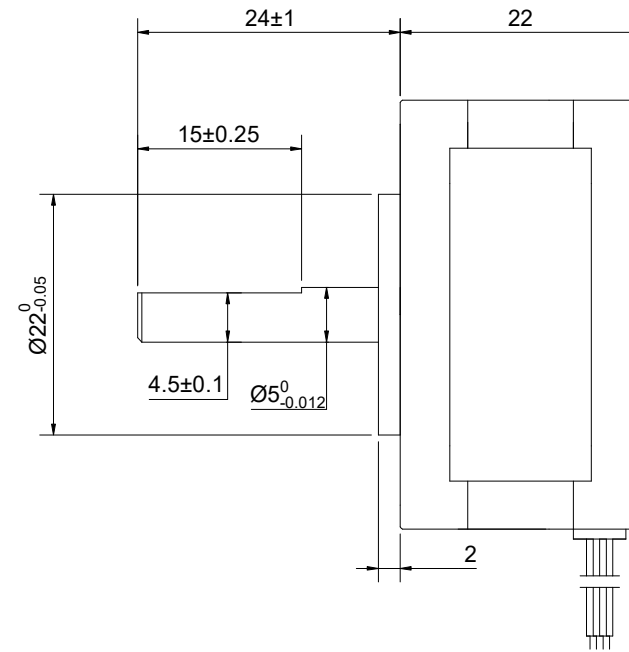
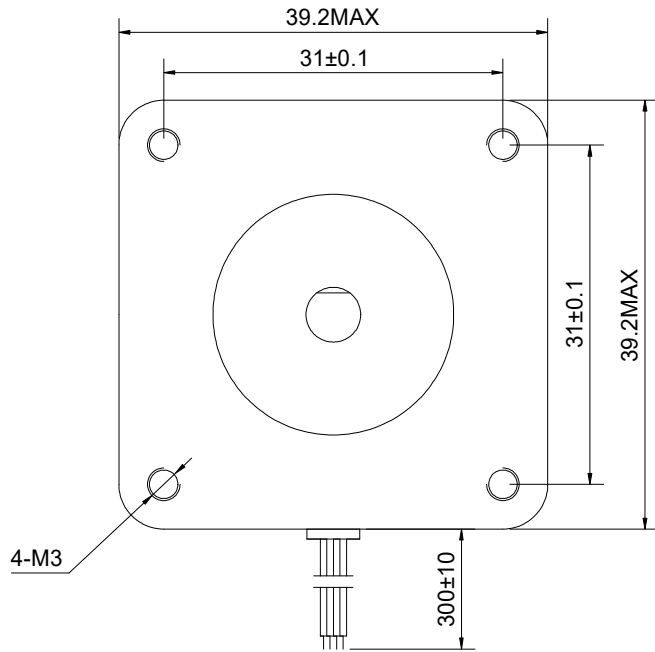


CUSTOMER'S MODEL: NO MODEL
 END COVER COLOR: GREY

REV.	REVISION RECORD	BY	DATE
0	ORIGIN	LJ	7.31.2025



STEPPER MOTOR
 16HM09-1204S
 S/N: XXXXXXXXXXXXX



MOTOR CONNECTION			
PIN NO	BIPOLAR	LEADS	WINDING
1	A+	BLK	
2	A-	GRN	
3	B+	RED	
4	B-	BLU	

SPECIFICATION	CONNECTION	BIPOLAR
AMPS/PHASE		1.20
RESISTANCE/PHASE(Ohms)@25°C		3.00±10%
INDUCTANCE/PHASE(mH)@1KHz		2.70±20%
HOLDING TORQUE(Nm)[lb-in]		0.11[0.97]
STEP ANGLE(°)		0.90
STEP ACCURACY(NON-ACCUM)		±5.00%
ROTOR INERTIA(g-cm ²)		10
WEIGHT(Kg)[lb]		—
AMBIENT TEMPERATURE		-10°C~50°C[14°F~122°F]
INSULATION CLASS		B 130°C[266°F]
TEMPERATURE RISE		MAX.80°C

COMMENT:
 TMBF 6000h OR MORE @ 24V/300RPM
 INSULATION RESISTANCE
 (NORMAL TEMPERATURE AND HUMIDITY): 100 Mohm
 DIELECTRIC STRENGTH 500VAC FOR 1MIN.(BETWEEN THE MOTOR COILS
 AND THE MOTOR CASE)

STEP	FULL STEP 2 PHASE-Ex.,WHEN FACING MOUNTING END (X)				CCW	CW
	A+	B+	A-	B-		
1	+	+	-	-		
2	-	+	+	-		
3	-	-	+	+		
4	+	-	-	+		

DIMENSIONS ARE IN MILLIMETERS.
 TOLERANCES AS BELOW:
 DECIMALS ANGLES
 X ±0.5 ±2°
 X.X ±0.25
 X.XX ±0.13

STEPPERONLINE®

STEPPER MOTOR

16HM09-1204S

THIS DOCUMENT SHALL NOT BE REPRODUCED
 NOR SHALL THE INFORMATION CONTAINED
 HEREIN BE USED BY OR DISCLOSED TO
 OTHERS UNLESS EXPRESSLY AUTHORIZED IN
 BY WRITING STEPPERONLINE.

SIGNATURE		DATE
DRN	LJ	7.31.2025
APVD	LDJ	7.31.2025

REV.	0	SCALE	1:1	DWG NO.	A0372
------	---	-------	-----	---------	-------