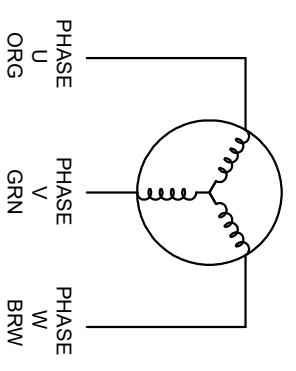
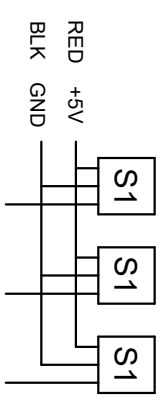
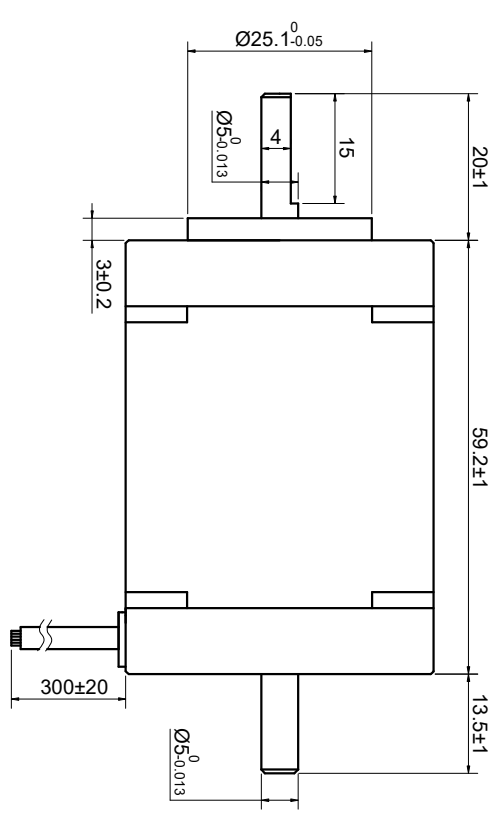
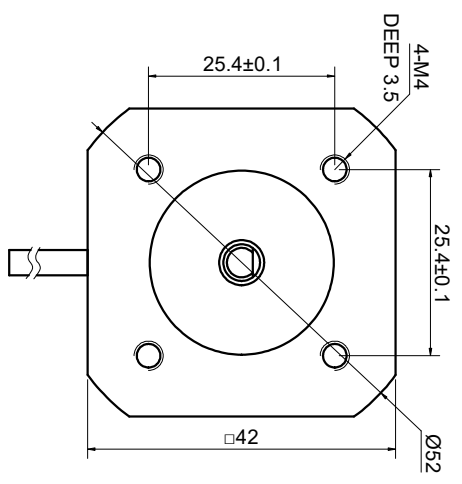


5091 V ON GMD 10-7Z-09S1B27 ON TEGOM

CUSTOMER'S MODEL: NO MODEL
END COVER COLOR: GRAY

REV.	REVISION RECORD	BY	DATE
0	ORIGIN	MYX	7.8.2024



HALL LEAD: UL 1007 26AWG

PHASE LEAD: UL 1007 22AWG

SPECIFICATION	VALUE
NO. of PHASES	3
NO. of POLES	8
RESISTANCE/PHASE(Ohms)@25°C	0.65±10%
INDUCTANCE/PHASE(mH)@1KHz	1.2±25%
RATED VOLTAGE(V)	24
RATED TORQUE(mN.m)	125
RATED POWER(W)	52.5
RATED SPEED(RPM)	4000±10%
RATED CURRENT(A)	3.4±10%
HALL LEAD STYLE	UL 1007 AWG26
PHASE LEAD STYLE	UL 1007 AWG22
BACK EMF (V/Krpm)	3.1±10%
SENSOR	HALL
AMBIENT TEMPERATURE	-10°C~50°C[14°F~122°F]
INSULATION CLASS	B 130°C[266°F]
TEMPERATURE RISE	MAX. 80°C

COMMENT:
1. INSULATION RESISTANCE (NORMAL TEMPERATURE AND HUMIDITY): 100 Mohm
2. DIELECTRIC STRENGTH: AC600V CUT OFF CURRENT 5mA FOR 1S

THIS DOCUMENT SHALL NOT BE REPRODUCED NOR SHALL THE INFORMATION CONTAINED HEREIN BE USED BY OR DISCLOSED TO OTHERS UNLESS EXPRESSLY AUTHORIZED IN BY WRITING STEPPERONLINE.

DIMENSIONS ARE IN MILLIMETERS:
TOLERANCES AS BELOW:
DECIMALS ANGLES
X ±0.5 ±2°
X.X ±0.25
X.XX ±0.13

SIGNATURE	DATE
DRN MYX	7.8.2024
APVD ZPJ	7.8.2024

STEPPERONLINE®
BRUSHLESS DC MOTOR

42BLS60-24-01

REV.	0	SCALE	1:1	DWG. NO.	A1605
------	---	-------	-----	----------	-------