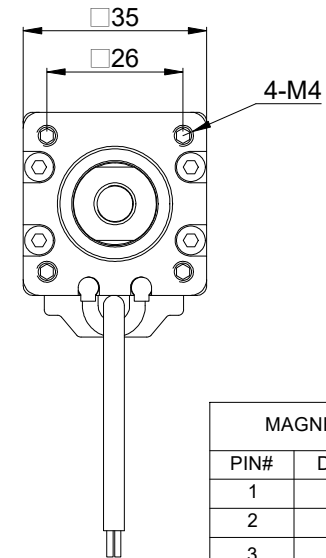
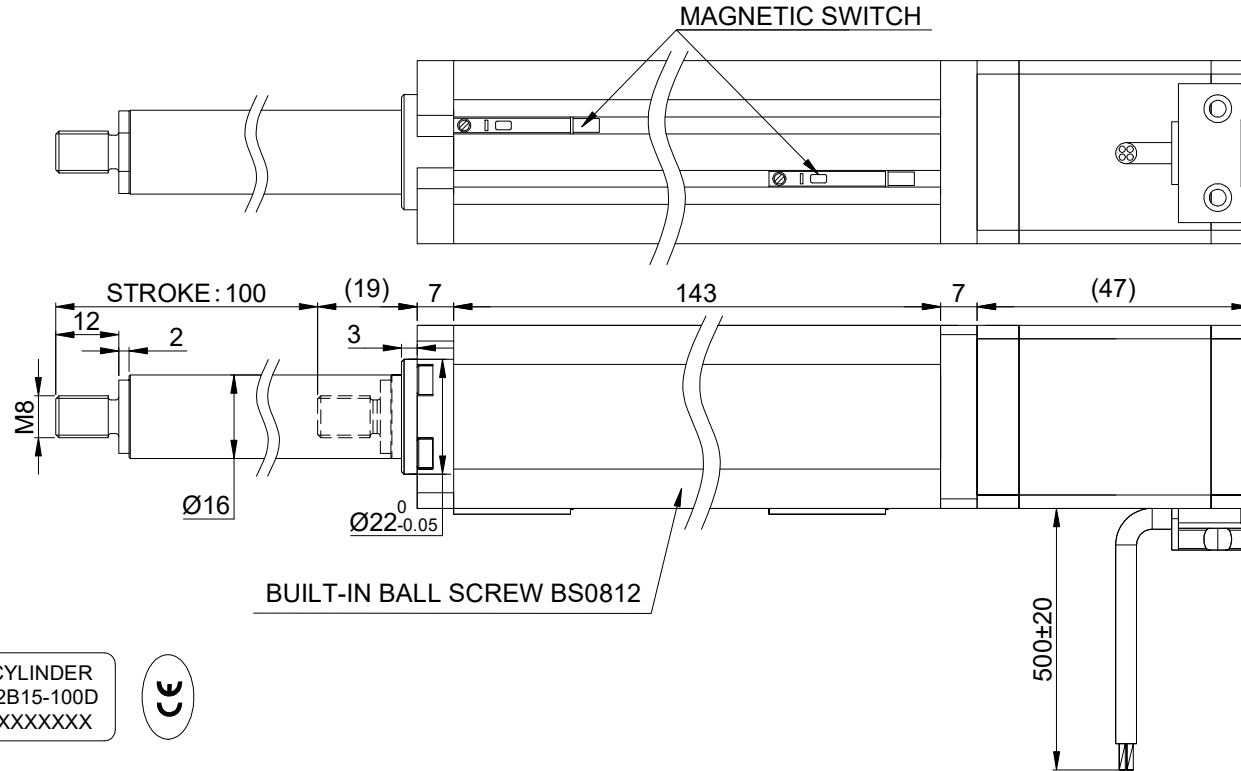


| REV. | REVISION RECORD | BY  | DATE     |
|------|-----------------|-----|----------|
| 0    | ORIGIN          | LDJ | 4.7.2026 |

CUSTOMER'S MODEL:  
END COVER COLOR: BLACK



| MAGNETIC SWITCH WIRING |             |        |
|------------------------|-------------|--------|
| PIN#                   | DESCRIPTION | COLOUR |
| 1                      | DC 5-24V    | BROWN  |
| 2                      | GND         | BLUE   |
| 3                      | SIGNAL      | BLACK  |

ELECTRIC CYLINDER  
LCB14S18B2B15-100D  
S/N: XXXXXXXXXXXX



| CONNECTION                  | BIPOLAR                |
|-----------------------------|------------------------|
| SPECIFICATION               |                        |
| AMPS/PHASE                  | 1.50                   |
| RESISTANCE/PHASE(Ohms)@25°C | 1.50±10%               |
| INDUCTANCE/PHASE(mH)@1KHz   | 2.00±20%               |
| HOLDING TORQUE(Nm)[lb-in]   | 0.20[1.77]             |
| STEP ANGLE(°)               | 1.80                   |
| STEP ACCURACY(NON-ACCUM)    | ±5.00%                 |
| LEAD(mm)                    | 12                     |
| LINEAR TRAVEL/STEP(mm)      | 0.06                   |
| AMBIENT TEMPERATURE         | -20°C~50°C[-4°F~122°F] |
| INSULATION CLASS            | B 130°C[266°F]         |
| TEMPERATURE RISE            | MAX.80°C               |
| AMBIENT HUMIDITY            | MAX.85%                |

- NOTICE:
- MOTOR SCREW SHALL NOT BE SUBJECTED TO RADIAL LOAD.
  - NOT CLAMP OR SQUEEZE THE MOTOR SCREW WITH HARD OBJECTS, SO AS TO AVOID DAMAGING THE THREAD.
  - MOTOR SCREW IS PRE-COATED WITH SPECIAL GREASE. PLEASE CONTACT THE MANUFACTURER IF RE-GREASING IS REQUIRED.
  - DO NOT DISASSEMBLE THE MOTOR WITHOUT PERMISSION.
  - MOTOR MUST BE HANDLED WITH CARE. HOLD THE MOTOR BODY WHEN CARRYING IT; DO NOT LIFT IT BY THE LEAD WIRES.

| FULL STEP 2 PHASE-Ex.,WHEN FACING MOUNTING END (X) |    |    |    |    | CCW | CW |
|--|----|----|----|----|-----|----|
| STEP   | A+ | B+ | A- | B- |     |    |
| 1  | +  | +  | -  | -  | ↓   | ↑  |
| 2  | -  | +  | +  | -  |     |    |
| 3  | -  | -  | +  | +  |     |    |
| 4  | +  | -  | -  | +  |     |    |

DIMENSIONS ARE IN MILLIMETERS.  
TOLERANCES AS BELOW:  
DECIMALS ANGLES  
X ±0.5 ±2°  
X.X ±0.25  
X.XX ±0.13

| MOTOR CONNECTION |         |         |         |
|------------------|---------|---------|---------|
| PIN NO           | BIPOLAR | LEADS   | WINDING |
| 1                | A+      | RED     |         |
| 2                | A-      | RED/WHT |         |
| 3                | B+      | GRN     |         |
| 4                | B-      | GRN/WHT |         |



ELECTRIC CYLINDER

LCB14S18B2B15-100D

THIS DOCUMENT SHALL NOT BE REPRODUCED NOR SHALL THE INFORMATION CONTAINED HEREIN BE USED BY OR DISCLOSED TO OTHERS UNLESS EXPRESSLY AUTHORIZED IN BY WRITING STEPPERONLINE.

| SIGNATURE |     | DATE     |
|-----------|-----|----------|
| DRN       | LDJ | 4.7.2026 |
| APVD      | YSX | 4.8.2026 |